

# ELTR60

## TROLLEY FOR ELWM60

FOR 55"-86" SCREENS

The high-quality ELTR60 trolley looks stylish and modern. It is an excellent choice for users looking for a practical solution that meets the highest expectations. It has been designed to provide comfort during video conferences, speeches or classes. It is mobile, ergonomic and stable. Together with the wall mount with manual height adjustment (ELWM60), it forms the perfect combination, especially for the needs of educational institutions.

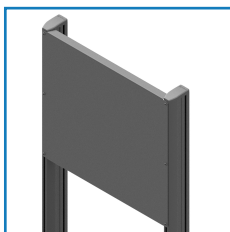


### FEATURES

- Universal design
- Stable aluminium and steel construction
- Includes 4 locking castors
- ELWM60 compatible

### PRODUCT SPECIFICATIONS

Short index	ELTR60
Product group	Trolleys & Stands
Category	Flat Screen Trolleys Series
Colour	Black
Warranty	Limited 5-years
Number of screens	1
Minimum screen size	55"
Maximum screen size	86"
Maximum screen weight excluding ELWM60	60 kg
VESA Mounting Compatibility	100x100 up to 600x400



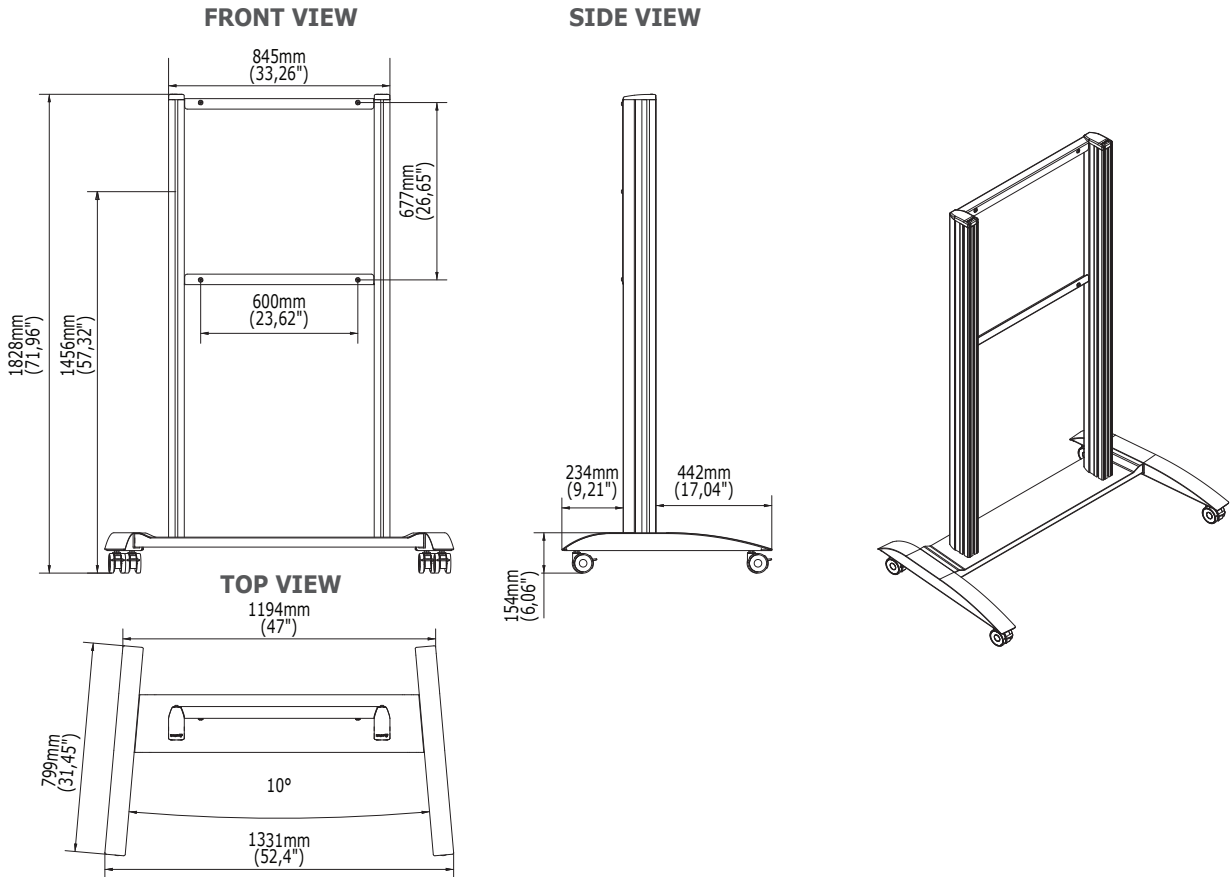
Stable aluminium and steel construction



Universal design



ELWM60 compatible


**TECHNICAL SPECIFICATIONS**

Product dimensions	W: 1331mm D: 799 mm H: 1828 mm (W:52,4" D:31,45" H:71,96")
Product weight	55 kg (121 lb)
Max. distance from the floor to the center of the screen	1456 mm (57,32")
Min. distance from the floor to the center of the screen	1456 mm (57,32")
Max. mounting pattern	600 mm x 400 mm (23,62 x 15,75")
Min. mounting pattern	100 mm x 100 mm (3,93 x 3,93")

**LOGISTICS DATA**

SAP INDEX	EAN CODE	COLOUR	PACKAGE DIMENSIONS*	PACKAGE WEIGHT
WWTR-ELTR60	5902841100787	BLACK	1)2x 1811 x 143 x 74 71,29 x 5,62 x 2,91" 2)1140 x 240 x 170 44,88 x 9,44 x 6,69 "	60,5 kg 125 lb

HS Code (Harmonized System): 732690, HTS Code (Harmonized Tariff Schedule): 7326909890, Country of Origin: Poland

**\*the product is packaged in three cartons**

**ACCESSORIES AND RELATED PRODUCTS**


ELWM60



TRV100

2024 - EDBAK Sp. z o.o. All rights reserved.  
The information included in the specifications reflects the current technical specifications at the time of printing. We reserve the right to modify technical or physical specifications without prior notice. EDBAK name and EDBAK logo are registered trademarks of EDBAK Sp. z o.o. All EDBAK images and symbols are sole property of EDBAK Sp. z o.o. Edbak shall not be held liable for any loss or damage caused by incorrect installation or mounting. Copying this specification in whole or in part is only allowed after obtaining written consent from EDBAK Sp. z o.o.  
ELTR60-210601-EN