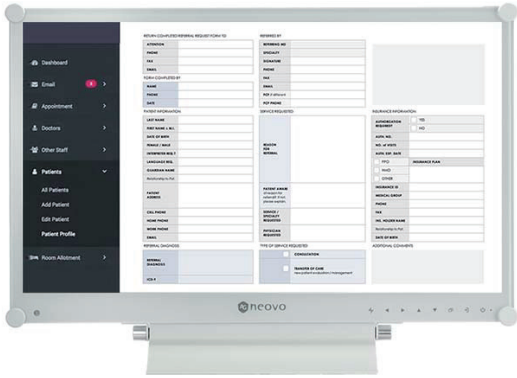


MX-2402 24" CLINICAL REVIEW MEDICAL MONITORS

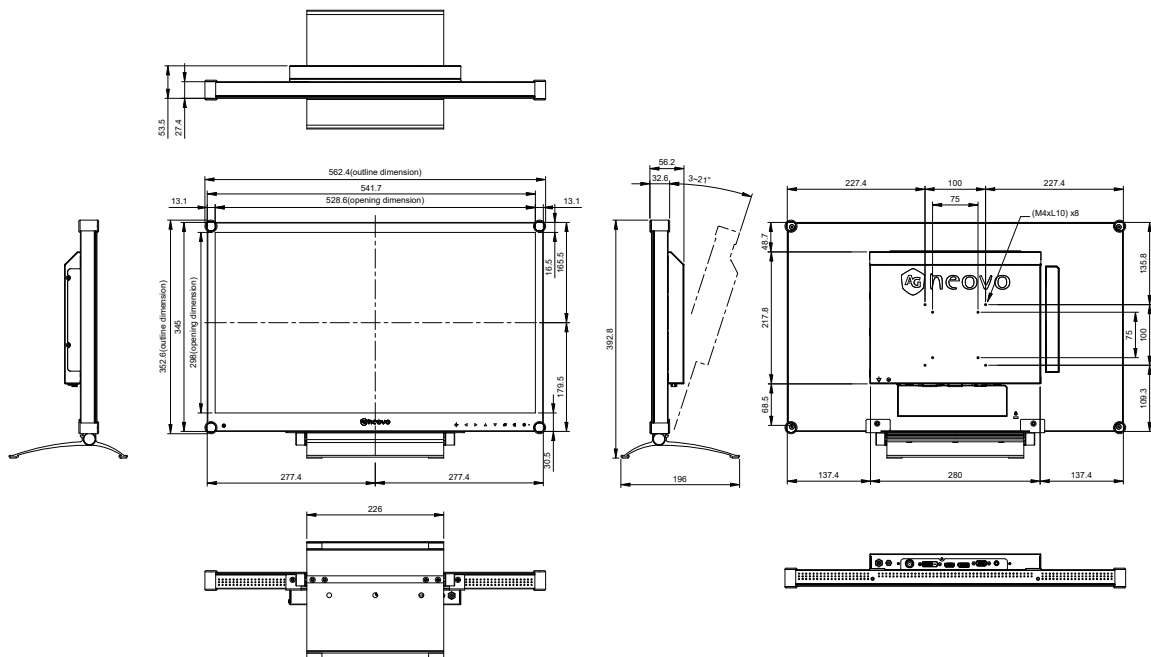
FEATURES



- Full HD 1920 x 1080 resolution
- Anti-Burn-in™ technology prevents image ghosting
- NeoV™ Optical Glass and metal housing for excellent cleanability and protection
- Crisp 20,000,000:1 dynamic contrast ratio
- Compliance with DICOM Part 14 with calibrated greyscale and brightness
- Certified with IEC/EN 60601-1 and IEC/EN 60601-1-2
- Sturdy IK10-rated metal casing for impact resistance in healthcare settings
- Front side IP65 certified for indoor use in medical work environments
- Versatile connectivity: DisplayPort, HDMI, DVI, VGA
- EcoSmart Sensor automatically adjusts brightness level according to ambient lighting conditions
- Wide temperature range for consistent performance in varying conditions
- Black-level adjustment for presenting more details in dark images
- VESA mounting for flexible installation in healthcare settings

The MX-2402 is designed for durability in healthcare settings, featuring an impact-resistant IK10-rated metal casing and IP65 certification for dust and water protection. It ensures reliable performance in various conditions with its wide temperature range. Compliant with medical electrical equipment standards, including IEC/EN 60601-1 and IEC/EN 60601-1-2, and equipped with a medical-grade low-voltage power supply, the MX-2402 offers Full HD resolution, DICOM Part 14 compliance, and excellent image quality for 24/7 operation in demanding medical environments.

TECHNICAL DRAWING



SPECIFICATIONS

Panel	
Panel Type	LED-Backlit TFT LCD (VA Technology)
Panel Size	23.8"
Max. Resolution	FHD 1920 x 1080
Pixel Pitch	0.275 mm
Brightness	300 cd/m ²
Contrast Ratio	20,000,000:1 (DCR)
Viewing Angle (H/V)	178°/178°
Display Colour	16.7M
Response Time	5 ms
Frequency	
Frequency (H)	24 kHz-83 kHz
Frequency (V)	50 Hz-75 Hz
Signal Input	
DisplayPort	x 1
HDMI	1.4 x 1
DVI	24-Pin DVI-D
VGA	15-Pin D-Sub x 1
Audio	
Audio In	Stereo Audio Jack (3.5 mm)
Internal Speakers	2W x 2
Power	
Power Supply	External
Power Requirements	DC 12V, 2.5A
On Mode	18W (On)
Stand-by Mode	< 0.5W
Off Mode	< 0.3W
Glass	
Thickness	3.0 mm (0.12")
Reflection Rate	< 1%
Transmission Rate	> 97%
IK rating	IK10 Metal Casing
Operating Conditions	
Temperature	-5°C-45°C (32°F-104°F)
Humidity	10%-90% (non-condensing)
IP rating	Front side IP65
Storage Conditions	
Temperature	-20°C-60°C (-4°F-140°F)
Humidity	5%-95% (non-condensing)
Mounting	
VESA FPM PMI	Yes (100 x 100 mm & 75 x 75 mm)
Stand	
Tilt	3° to 21°
Security	
Kensington Security Slot	Yes
Dimensions	
Product with Base (W x H x D)	562.4 x 392.8 x 196.0 mm (22.1" x 15.4" x 7.7")
Product w/o Base (W x H x D)	562.4 x 352.6 x 56.2 mm (22.1" x 13.9" x 2.2")
Packaging (W x H x D)	672.0 x 517.0 x 249.0 mm (26.5" x 20.4" x 9.8")
Weight	
Product w/o Base	6.9 kg (15.2 lb)
Product with Base	7.7 kg (17.0 lb)
Packaging	10.6 kg (23.4 lb)
Regulation Approval	
Certifications & Compliance	CE, LVD, WEEE, RoHS, REACH, EAC, IEC/EN 60601-1, IEC/EN 60601-1-2
Power Adaptor Certifications	Adapter Technology/ATM065T-P120: CE, FCC, PSE, WEEE, BSMI, IEC/EN 60601-1,
Accessories	
Supplied	Power Adaptor, Power Cord, VGA Cable, Audio Cable, Quick Start Guide
Optional Accessories	
Ceiling Mount (Landscape only)	CMP-01+WMK-03
Wall Mount (Landscape only)	WMA-01, WMK-01, WMK-03, PMK-01
Desk mount (Landscape only)	DMC-01, DMC-02D, DMS-01D, ES-02
Handle	HDL-02



All specifications are subject to change without prior notice.
Copyright © 2024 AG Neovo. All rights reserved.
The name AG Neovo is a trademark of AIC.
All other trademarks are the property of their respective owners.
P/C: MX2420 Version 1.0, 20240503