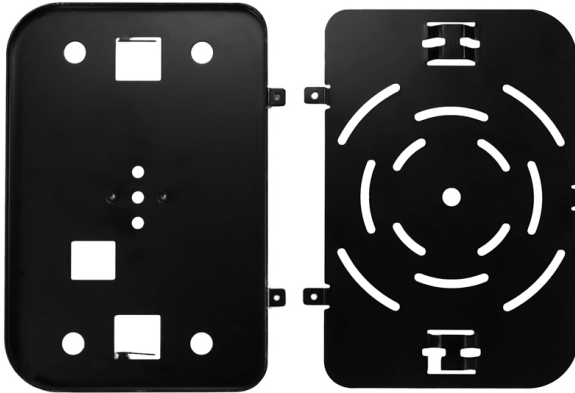


## PTZ Ceiling Mount Kit

AT-HDVS-CAM-CMNT



The Atlona **AT-HDVS-CAM-CMNT** is a ceiling mount kit for the AT-HDVS-CAM, AT-HDVS-CAM-HDMI, and AT-HDVS-CAM-HDBT PTZ cameras. It includes all necessary hardware to enable a secure, flush installation onto a ceiling surface. This accessory is ideal for classrooms and meeting rooms requiring an overhead or rear-oriented camera, for capturing a presenter or lecturer at the front of the room

### Package Contents

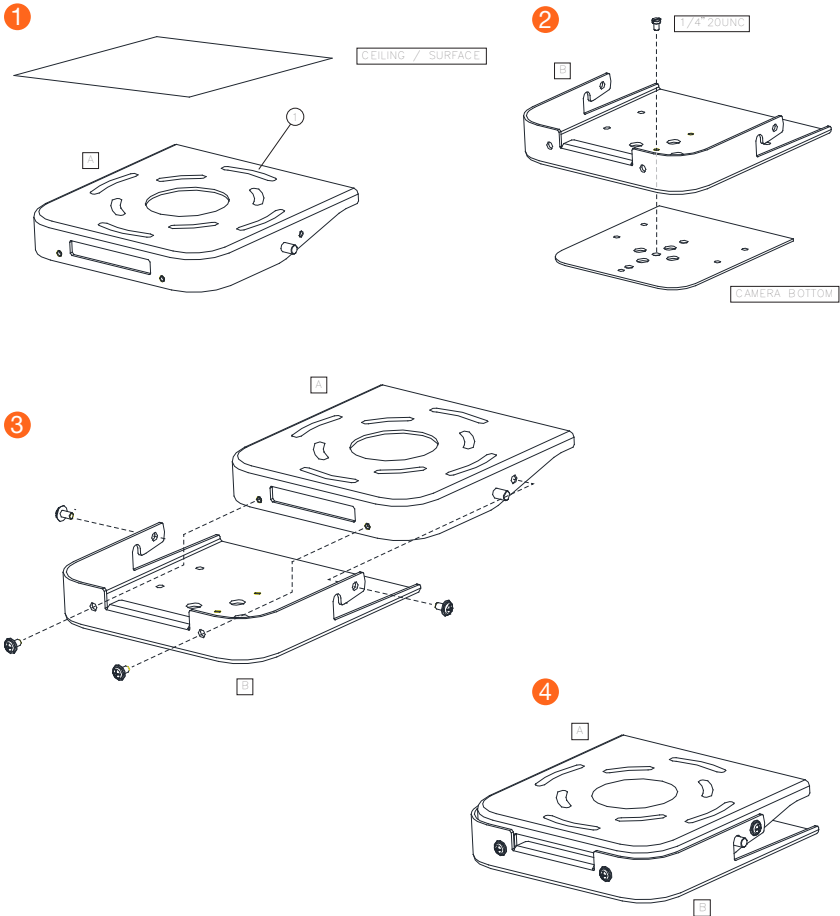
- 1 x AT-HDVS-CAM-CMNT
- 4 x PA3X30 self-tapping screws
- 1 x 1/4 20UNC screw
- 1 x Installation Guide

### Package Contents (Legacy)

- 1 x AT-HDVS-CAM-CMNT
- 4 x PA3X30 self-tapping screws
- 4 x PM3X6 screws
- 4 x screw stoppers
- 1 x 1/4 20UNC screw
- 1 x Installation Guide

## Installation

1. Position part **A** at the desired position on the ceiling / surface. Attach part **A** to the ceiling / surface by positioning screws (not provided) through the arc-shaped holes (1), as required.
2. Attach part **B** to the bottom of the AT-HDVS-CAM using the included 1/4" 20UNC screw.
3. Attach part **A** to part **B**, as shown below. Make sure the swivel joint on part **A** is positioned in the swivel notch on part **B**. Attach each of the four included screws, as shown, to secure both parts of the mounting fixture.
4. The completed assembly.



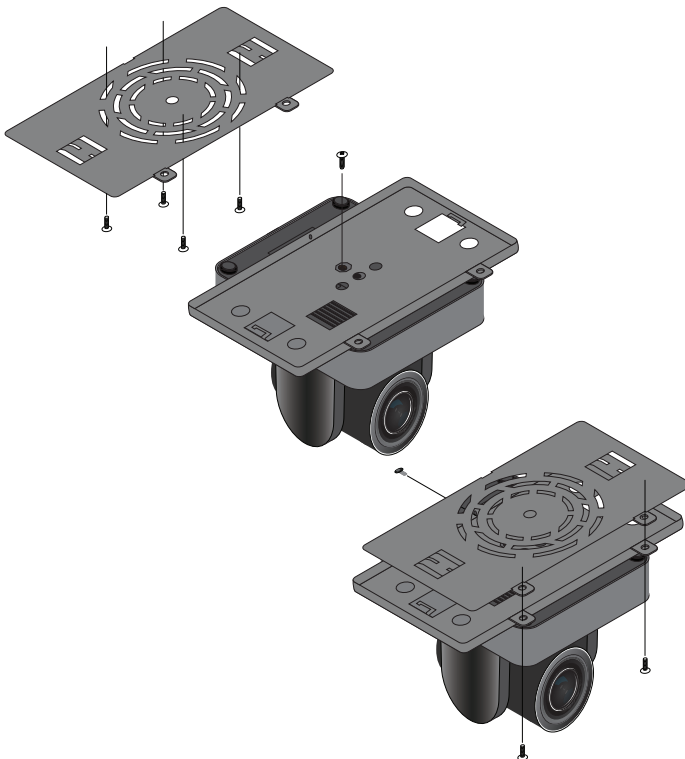
## Installation - Legacy Mounts

To install the AT-HDVS-CAM, AT-HDVS-CAM-HDMI, or AT-HDVS-CAM-HDBT onto a ceiling, the following is needed: 4 PA3X30 self-tapping screws, 4 PM3X6 screws, 4 screw stoppers, 1 1/4 20UNC screw, AT-HDVS-CAM-CMNT, and the AT-HDVS-CAM/-HDMI/-HDBT.

1. Install the 4 screw stoppers in the ceiling.
2. Connect the upper ceiling covering plate to the screw stoppers using the PA3X30 self-tapping screws.
3. Connect the lower ceiling covering plate to the bottom of the HDVS-CAM/-HDMI/-HDBT using the 1/4 20UNC screw.
4. Mount the lower ceiling covering plate to the upper ceiling plate using 3 PM3X6 bolts.



**NOTE:** The camera picture will need to be inverted for video to be viewed correctly. View the AT-HDVS-CAM/-HDMI/-HDBT manual for instructions on how to invert video.





US International  
atlona.com • 408.962.0515 • 41.43.508.4321

© 2024 Atlona Inc. All rights reserved. "Atlona" and the Atlona logo are registered trademarks of Atlona Inc. All other brand names and trademarks or registered trademarks are the property of their respective owners. Pricing, specifications and availability subject to change without notice. Actual products, product images, and online product images may vary from images shown here.

25183-R3