



Audipack®

It's great to have solutions...

FACT SHEET

390704



Max. "
65

Max.
60



1804 mm

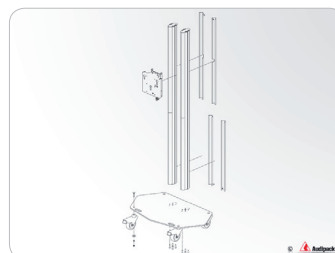
One of the best floor stand on wheels for flat panels up to 60 Kg.

Free standing and movable floor stand for flat screens. The floor stand is supplied with high quality swivel/break wheels.

The flat panel floor stand consists of two vertical columns, each with front and back covers. Each column has 3 separate cable passages allowing a separate passage of power, audio and data cables.

The presentation height of the flat panel is adjustable. This floor stand is suitable for flat panels with a maximum screen size of 65 inch, in landscape or portrait orientation.

- ▲ **High quality swivel/break wheels**
- ▲ **Integrated ruler for screen height positioning**
- ▲ **3 separate cable channels per column**
- ▲ **Suitable for all brands of flat panels**
- ▲ **Landscape and portrait orientation of the screen**



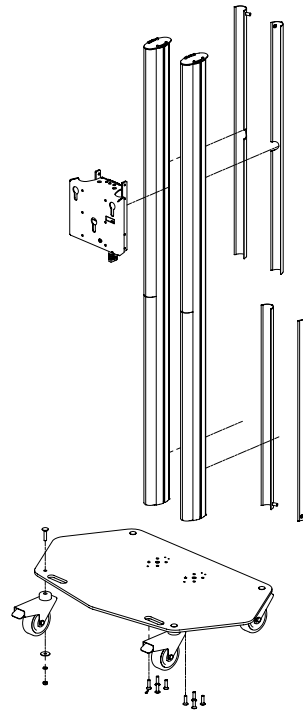
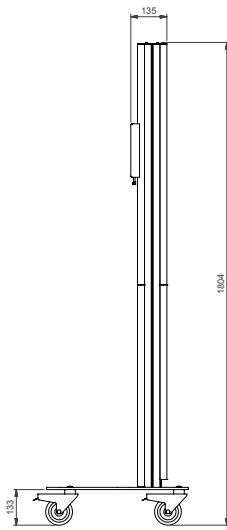
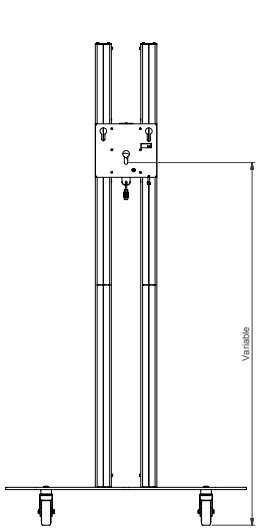
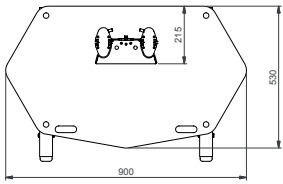


Audipack®

It's great to have solutions...

FACT SHEET

390704



Technical specifications

| | |
|--------------------|---|
| Dimensions in mm | W900 x D530 x H1804 |
| Max. screen size | 65 inch |
| Max. load | 60 Kg |
| Mounting interface | L&S 3 |
| Colour | Floor plate: Black, RAL 9005 Columns: Anodised aluminium |
| Weight | 40 Kg |
| Screen orientation | Landscape or Portrait |

Optional

- Mounting bracket (required for screen installation)
universal models and brand related models available
- Laptop supports, 390715, 390716
- Laptop housings, 390737
- Equipment cabinets, EC-735, EC-736
- Mounting head for multiple screen installation, 390711
- Video conference mounting head, 390768, 390769
- Portrait/Landscape adapter, P3496
- Lock for protecting the screen against theft, 230045, 230052