



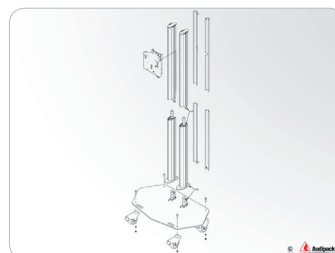
One of the best dividable floor stand on wheels for flat panels up to 60 Kg.

Free standing, dividable and movable floor stand for flat screens. The floor stand is supplied with high quality swivel/break wheels. The quick release feature allows you to install the floor stand and screen on any location without tools.

The flat panel floor stand consists of two vertical columns, each with front and back covers. Each column has 3 separate cable passages allowing a separate passage of power, audio and data cables.

The presentation height of the flat panel is adjustable. This floor stand is suitable for flat panels with a maximum screen size of 65 inch, in landscape or portrait orientation.

- ▲ **No tools required for installation**
- ▲ **High quality swivel/break wheels**
- ▲ **Integrated ruler for screen height positioning**
- ▲ **3 separate cable channels per column**
- ▲ **Landscape and portrait orientation of the screen**



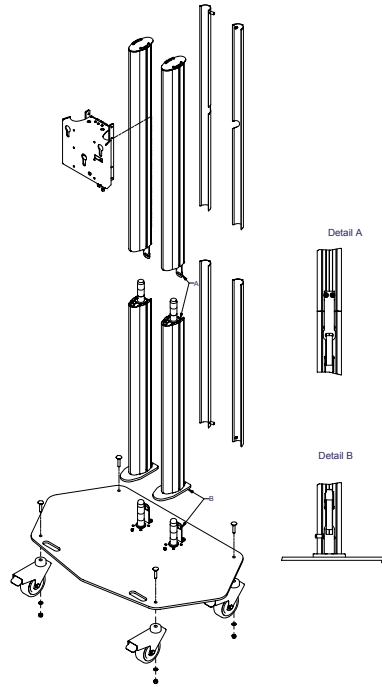
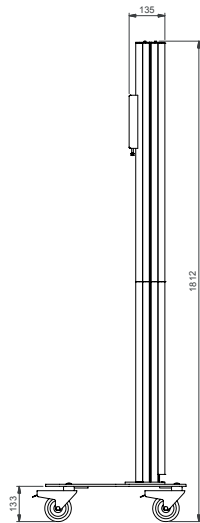
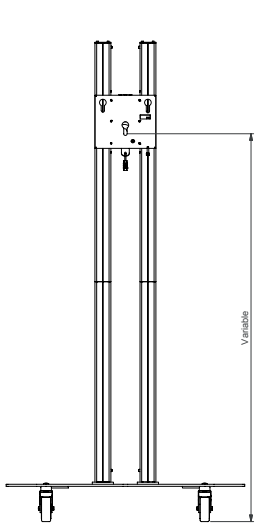
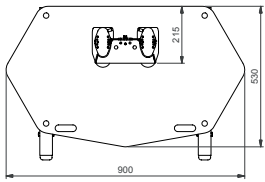


Audipack®

It's great to have solutions...

FACT SHEET

390705



Technical specifications

Dimensions in mm	W900 x D530 x H1812
Max. screen size	65 inch
Max. load	60 Kg
Mounting interface	L&S 3
Colour	Floor plate: Black, RAL 9005 Columns: Anodised aluminium
Weight	51 Kg
Screen orientation	Landscape or Portrait

Optional

- Mounting bracket (required for screen installation)
universal models and brand related models available
- Flightcase for safe transport of the floor stand and screen
- Laptop supports, 390715, 390716
- Laptop housings, 390737
- Equipment cabinets, EC-735, EC-736
- Mounting head for multiple screen installation, 390711
- Video conference mounting head, 390768, 390769
- Portrait/Landscape adapter, P3496
- Lock for protecting the screen against theft, 230045, 230052