

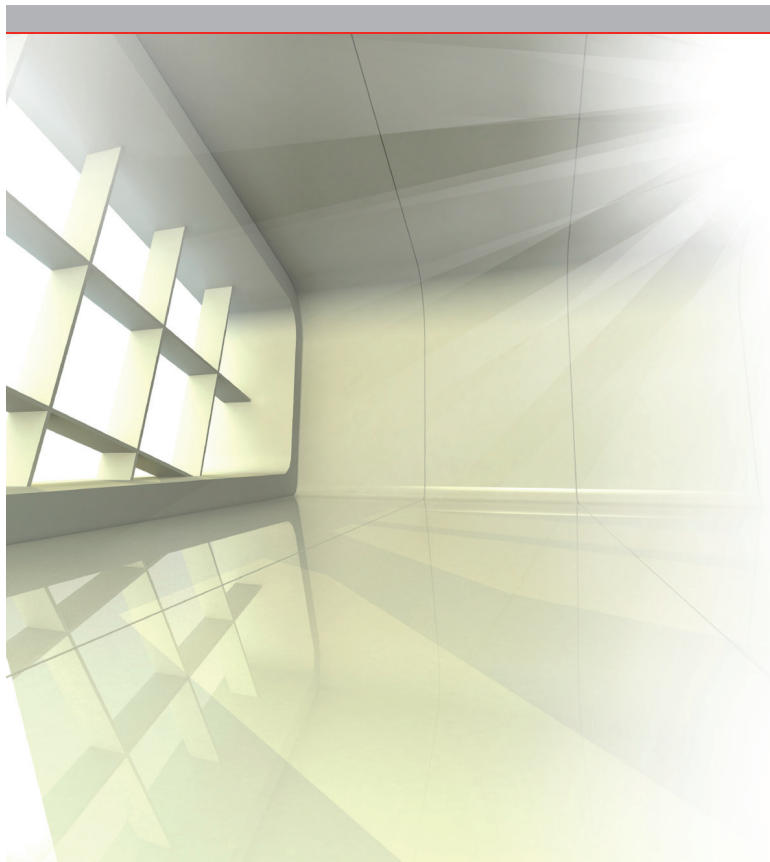


Audipack®

It's great to have solutions...

FACT SHEET

390780



1856 mm

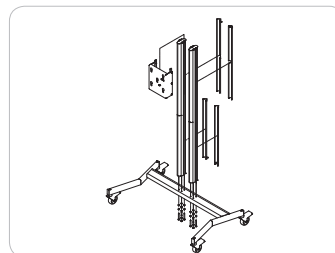
The better floor stand to position your giant flat panel at any position. Suitable for screens up to 85 kg.

Free standing and movable floor stand for the larger flat screens. The floor stand is supplied with high quality swivel/break wheels.

The flat panel floor stand consists of two vertical columns, each with front and back covers. Each column has 3 separate cable passages allowing a separate passage of power, audio and data cables.

The presentation height of the flat panel is adjustable. This floor stand is suitable for flat panels with a maximum screen size of approx 100 inch, in landscape or portrait orientation.

- ▲ **Modern design with anodized aluminium columns**
- ▲ **High quality swivel/break wheels**
- ▲ **3 separate cable channels**
- ▲ **Suitable for all brands of flat panels**
- ▲ **Landscape and portrait orientation of the screen**



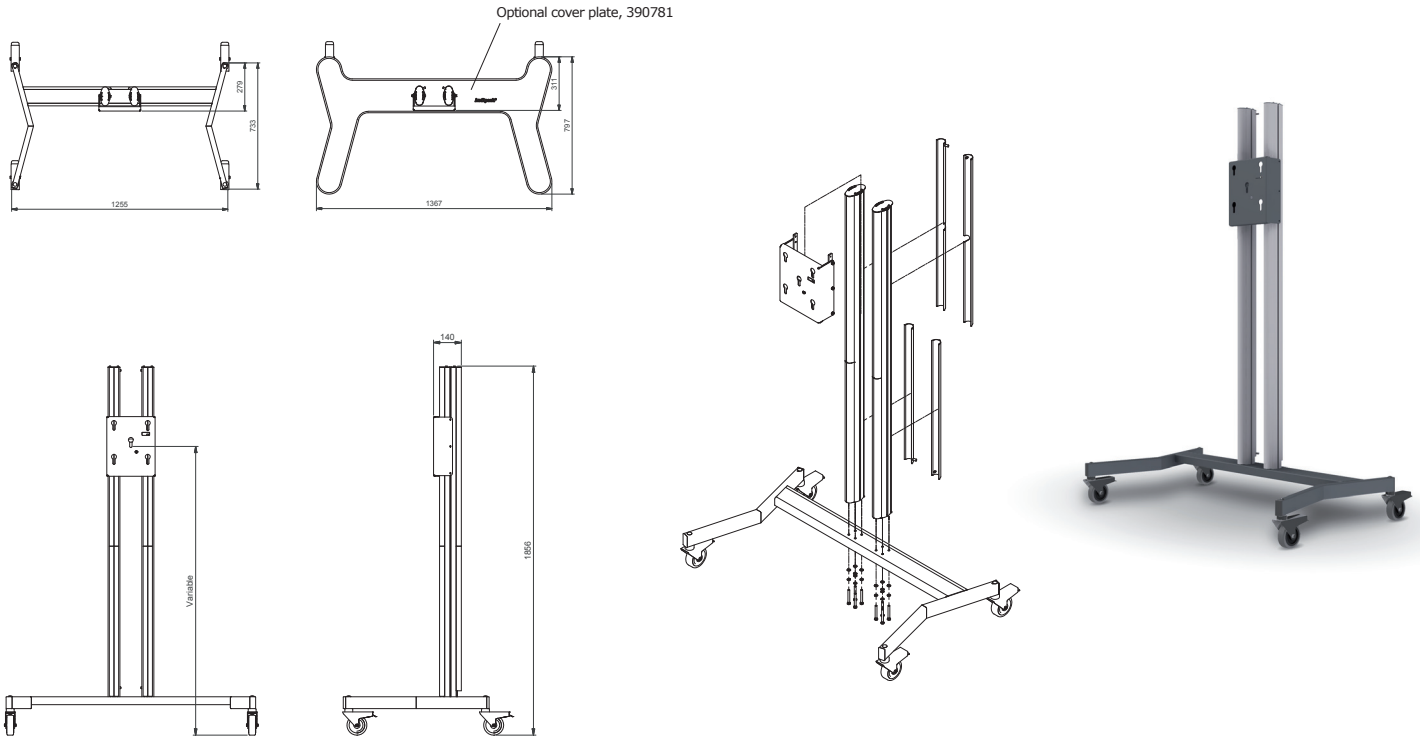


Audipack®

It's great to have solutions...

FACT SHEET

390780



Technical specifications

Dimensions in mm	W1255 x D733 x H1856
Max. screen size	100 inch
Max. load	85 Kg
Mounting interface	L&S 5
Colour	Floor plate: Black, RAL 9005 Columns: Anodised aluminium
Weight	32 Kg
Screen orientation	Landscape or Portrait

Optional

- Mounting bracket (required for screen installation)
universal models and brand related models available
- Coverplate, 390781
- Portrait/Landscape adapter, P3496
- Lock to protect the screen against theft, 230045, 230052