



# Audipack®

*It's great to have solutions...*

## FACT SHEET

### 390900

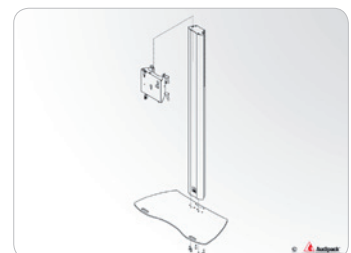


***One of the best floor stand for flat panels up to 60 Kg.  
More suitable for fixed positions.***

Flat panel floor stand for semi-permanent use, it consists of a strong and solid vertical column, screwed to the bottom, supplied with a wide access hatch on the back for power, audio and data cables.

The presentation height of the flat panel is adjustable. This floor stand is suitable for flat panels with a maximum screen size of approx. 55 inch, in landscape or portrait orientation.

- ▲ ***Modern design with anodized aluminium column***
- ▲ ***Integrated ruler for screen height positioning***
- ▲ ***Integrated yet easily accessible cable channel***
- ▲ ***Suitable for all brands of flat panels***
- ▲ ***Landscape and portrait orientation of the screen***



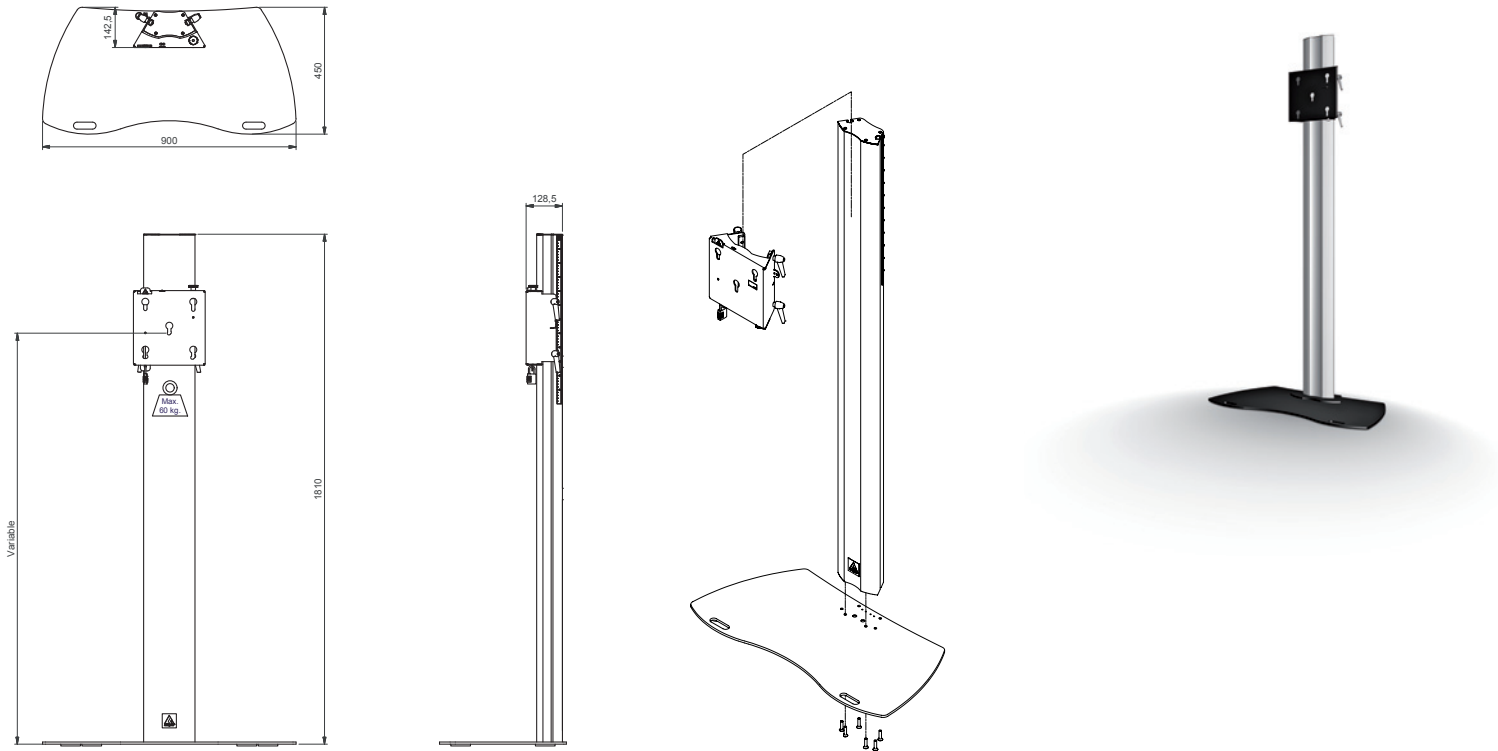


# Audipack®

It's great to have solutions...

# FACT SHEET

## 390900



### Technical specifications

Dimensions in mm	W900 x D450 x H1821
Max. screen size	55 inch
Max. load	60 Kg
Mounting interface	L&S 5
Colour	Floor plate: Black, RAL 9005 Column: Anodized aluminium
Weight	39 Kg
Screen orientation	Landscape or Portrait

### Optional

- Mounting bracket (required for screen installation)  
*universal models and brand related models available*
- Laptop supports, 390915, 390916
- Laptop housings, 390937
- Equipment cabinets, EC-935, EC-936
- Mounting head for multiple screen installation, 390915
- Video conference mounting head, 390969, 390970
- Portrait/Landscape adapter, P3496
- Lock for protect the screen against theft, 230045, 230052