



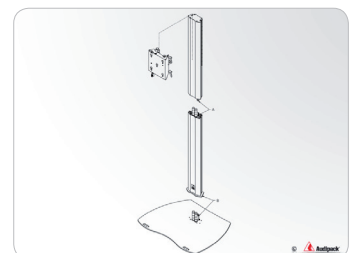
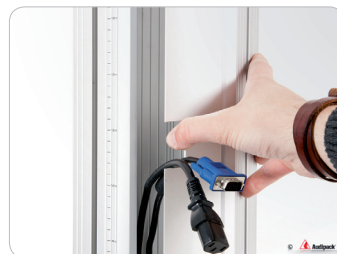
**Special for the large screens a floor stand with extra large floorplate. No tools needed for assembling. The perfect rental product**

Flat panel floor stand for rental purposes. The quick release feature allows you to install the floor stand and screen on any location without tools.

The floor stand consists of a strong and solid vertical column, supplied with a wide access hatch on the back for power, audio and data cables.

The presentation height of the flat panel is adjustable. This floor stand is suitable for flat panels with a maximum screen size of 100 inch, in landscape or portrait orientation.

- ▲ **No tools required for installation**
- ▲ **Integrated ruler for screen height positioning**
- ▲ **Integrated yet easily accessible cable channel**
- ▲ **Suitable for all brands of flat panels**
- ▲ **Landscape and portrait orientation of the screen**



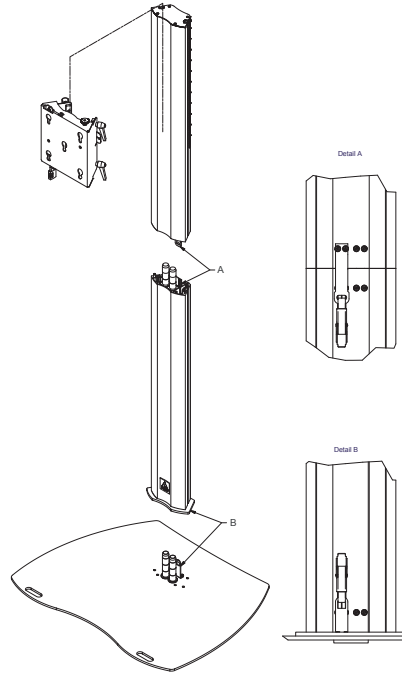
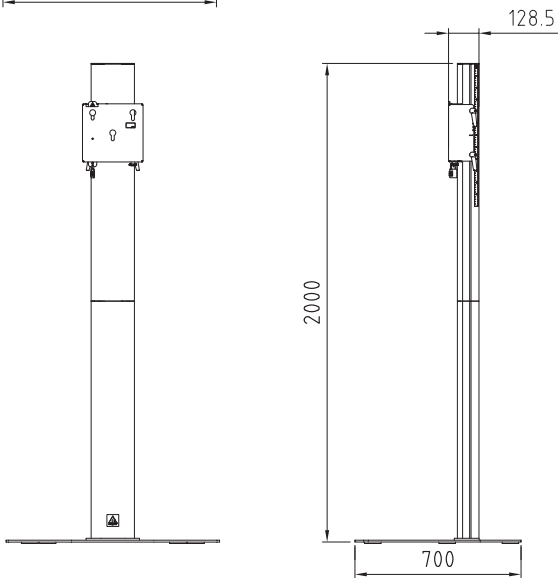
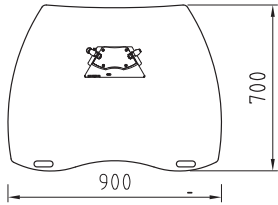


**Audipack®**

*It's great to have solutions...*

**FACT SHEET**

**390942**



### **Technical specifications**

Dimensions in mm	W900 x D700 x H2029
Max. screen size	100 inch
Max. load	85 Kg
Mounting interface	L&S 5
Colour	Floor plate: Black, RAL 9005 Column: Anodised aluminium
Weight	63 Kg
Screen orientation	Landscape or Portrait

### **Optional**

- Mounting bracket (required for screen installation)  
*universal models and brand related models available*
- Flightcase for safe transport of the floor stand and screen
- Laptop supports, 390915, 390916
- Laptop housings, 390937
- Equipment cabinets, EC-935, EC-936
- Mounting head for multiple screen installation, 390951
- Video conference mounting head, 390969, 390970
- Portrait/Landscape adapter, P3496
- Lock for protect the screen against theft, 230045, 230052