



Trolley stand for touch screens up to 100 Kg

Modern design, highly functional black coloured wheeled floor stand for touch screens with VESA 800.

For touch screens up to 100 Kg Audipack offers this floor stand on wheels. A modern and timeless design that has much to offer. Many types of touch screens can be fitted directly to the trolley with the Multi VESA mounting pattern. The beautiful finish and airy design make this trolley a pleasure to use.

Even the speed with which the touch screen is lifted and lowered, feels natural and improves the user comfort.

- ▲ **Plug and play**
- ▲ **Standard with mini PC cabinet behind the screen**
- ▲ **Supplied with RJ-45 and IEC C22 connections**
- ▲ **Optional corner protectors for doorposts**
- ▲ **Durable, well designed and slim constructed**



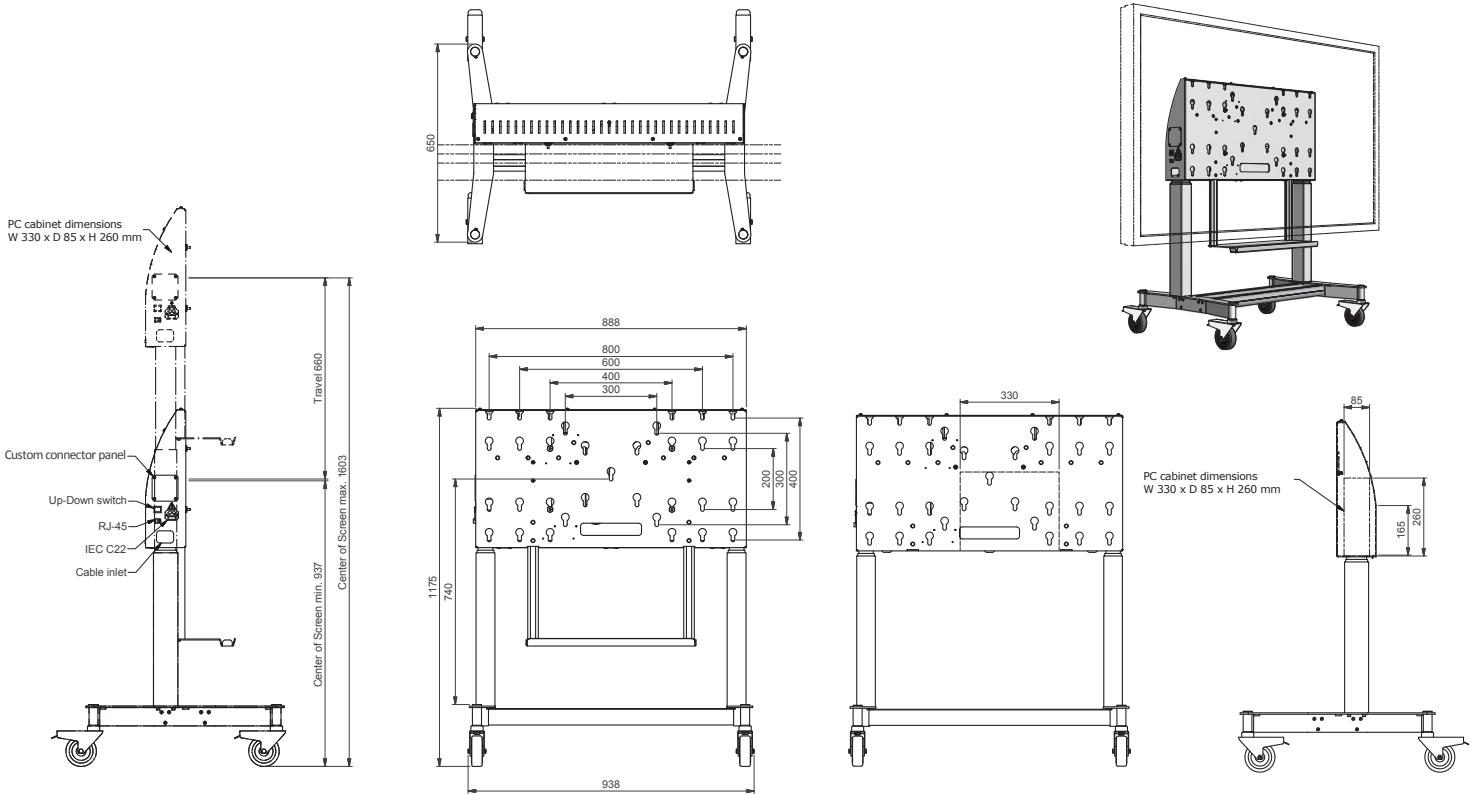


Audipack®

It's great to have solutions...

FACT SHEET

FSW-T100V8



Technical specifications

Max. screen size	height 1520 mm
Presentation height	1603 mm (Centre screen)
Height adjustment	650 mm
Mounting interface	VESA 200, 300, 400, 600, 800 and L&S5
Max. load	100 Kg
Colour	Available in white RAL 9016 and black RAL 9005
Dimensions in mm	W 938 x D 650 x H 1175-1825
PC cabinet dimensions	W 330 x D 85 x H 260 mm
Screen positioning	Landscape and portrait
Power supply	230 VAC 50-60 Hz/24 VDC

Optional

- Mounting cams for VESA mounting
- Mounting bracket for non-VESA mounting
- Doorpost protectors
- Pen tray - **FSW-PT1**
- PC cabinet - **EC-7**