

# FLEX-800<sup>®</sup> series THE ULTIMATE MONITOR FIXATIONS

**The Audipack Flex-800<sup>®</sup> series,**

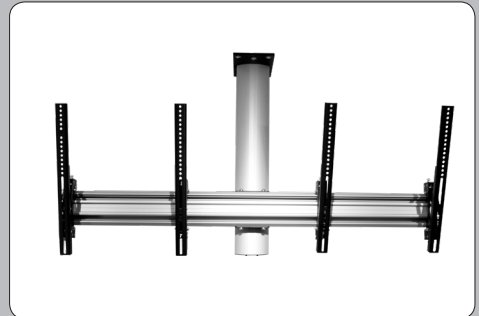
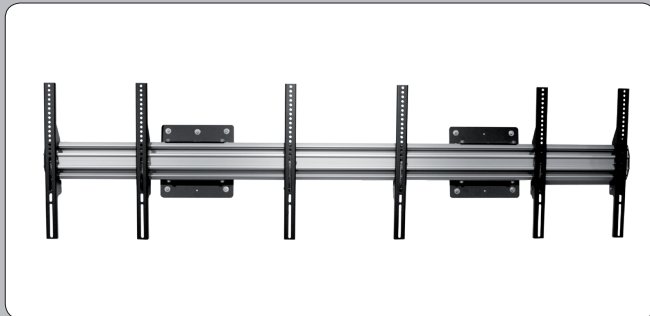
*a range of products that offers perfect solutions  
for Broadcast, AV and CCTV installations.*



**Audipack<sup>®</sup>**

*It's great to have solutions...*

*Let us inspire you.....*



# Flexible, modular and Innovative!



## **FLEX-800®, the ultimate monitor fixation**

**Audipack introduces "the ultimate FLEX-800® solution for flat screens" for all possible configurations.**

The impossible becomes an easy task with the new FLEX-800® series. The FLEX-800® series offers flexible mounting solutions for flat screens on floor stands, trolleys, wall mounts, ceiling mounts etc.

Due to the flexibility of the FLEX-800® system, you can build any desired configuration. From a simple 2x1 to 7x3 configurations. Choose from the various components and the installation is a matter of minutes.

The unique feature of this product is the comprehensive suite of components which also are compatible with the Audipack 700, 800 and 900 series floor stands.

Wall fixations, stand-alone units in broadcast studio's, multiviewers or CCTV rooms. The system is ideal for permanent installation, but also for rental.

**Modular and flexible; that's what FLEX-800® series means to you.**

- ▲ **Fast and easy installation**
- ▲ **Quick flat panel installation and removal**
- ▲ **Flexible with many components**
- ▲ **Compatible with 700, 800 and 900 series**

### **FLEX-800® MOUNTING BARS**



Including 2 cable clips  
ref. **FLEX-1845** per meter

<b>Ref.</b>	<b>FLEX-1800-XXXX</b>
Dimensions	W 120 x D 60 x L custom
Length in mm	1500 - 2000 mm
<b>Ref.</b>	<b>FLEX-1801-XXXX</b>
Dimensions	W 120 x D 60 x L custom
Length in mm	2001 - 2500 mm
<b>Ref.</b>	<b>FLEX-1802-XXXX</b>
Dimensions	W 120 x D 60 x L custom
Length in mm	2501 - 3000 mm
<b>Ref.</b>	<b>FLEX-1803-XXXX</b>
Dimensions	W 120 x D 60 x L custom Length
in mm	3001 - 6000 mm

**Order example for a bar of 2400 mm: FLEX-1801-2400**

## FLEX-800® SERIES

## FLEX-800® CONNECTION SET FOR MOUNTING BARS

**Ref. FLEX-1810**

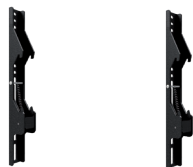
Connect multiple mounting bars to get the desired length.

## FLEX-800® END CAPS FOR MOUNTING BARS

**Ref. FLEX-1812**

Set of 2 black end caps for a neat finish of the ends of the mounting bar.

## FLEX-800® MOUNTING ARMS TO CONNECT TO MOUNTING BARS

**Ref. 391817**

Dimensions in mm H 338 x W 39 x D 50  
Mounting interface VESA 200



Set of 2 brackets. Direct installation on FLEX mounting bar

**Ref. 391818**

Dimensions in mm H 305 x W 39 x D 75  
Mounting interface VESA 200  
Tilt adjustment



Set of 2 brackets. Direct installation on FLEX mounting bar

**Ref. 391819**

Dimensions in mm H 520 x W 40 x D 50  
Mounting interface VESA 200 - 500



Set of 2 brackets. Direct installation on FLEX mounting bar

**Ref. 391820**

Dimensions in mm H 520 x W 50 x D 75  
Mounting interface VESA 200 - 500  
Tilt adjustment in degrees 0 - 30 °



Set of 2 brackets. Direct installation on FLEX mounting bar

**Ref. 391821**

Dimensions in mm H 620 x W 39 x D 50  
Mounting interface VESA 300 - 600



Set of 2 brackets. Direct installation on FLEX mounting bar

**FLEX-800® WALL MOUNT FOR HORIZONTAL MOUNTING BAR**



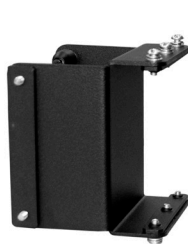
<b>Ref.</b>	<b>FLEX-1840</b>
Dimensions	H 250 x W 250 x D 70
Tilt adjustment	0 - 5- 10 °



<b>Ref.</b>	<b>FLEX-1841</b>
Dimensions	H 250 x W 250 x D 70
Fixed mount	



**FLEX-800® X-CONNECTION TO AUDIPACK COLUMNS**



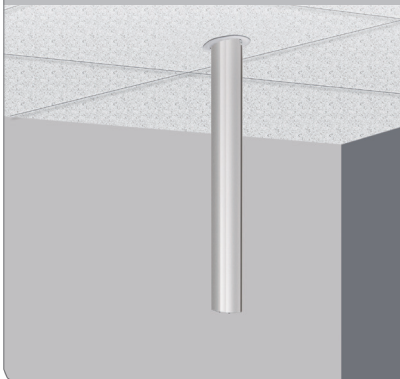
**Ref.**  
Suitable for

**FLEX-1825**  
700 series

**FLEX-1826**  
800 series

**FLEX-1827**  
900 series

**FLEX-800® CEILING MOUNT - 800 COLUMN**



<b>Ref.</b>	<b>FLEX-800-1000</b>
Length in mm	1000



<b>Ref.</b>	<b>FLEX-800-1500</b>
Length in mm	1500



<b>Ref.</b>	<b>FLEX-800-XXXX</b>
Length in mm	custom



\* Max load at symmetric load, see load diagramm for more options

**Order example for 2300 mm: FLEX-800-2300**

Optional CFR-800 Ceiling finishing ring

**FLEX-800® CEILING MOUNT - 900 COLUMN**



<b>Ref.</b>	<b>FLEX-900-1000</b>
Length in mm	1000



<b>Ref.</b>	<b>FLEX-900-1500</b>
Length in mm	1500



<b>Ref.</b>	<b>FLEX-900-XXXX</b>
Length in mm	custom



\* Max load at symmetric load, see load diagramm for more options

**Order example for 2300 mm: FLEX-900-2300**

Optional CFR-900 Ceiling finishing ring

FLEX-800® SERIES

**FLEX-800® - 900 FLOOR STAND**



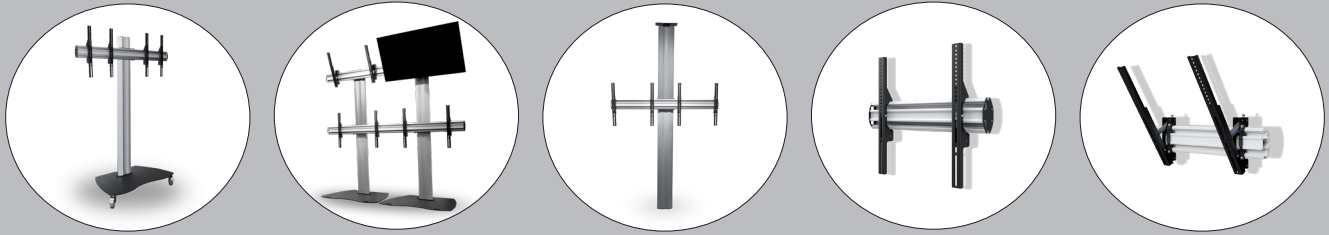
<b>Ref.</b>	<b>FLEX-942-2250</b>	<b>FLEX-942-2750</b>	
Dimensions in mm	W 900 x D 700 x H 2250	W 900 x D 700 x H 2750	
<b>Ref.</b>	<b>FLEX-943-2250</b>	<b>FLEX-943-2750</b>	
Dimensions in mm	W 900 x D 700 x H 2250	W 900 x D 700 x H 2750	
<b>Floor stand on wheels</b>			
<b>Ref.</b>	<b>FLEX-984-2250</b>	<b>FLEX-984-2750</b>	
Dimensions in mm	W 900 x D 700 x H 2250	W 900 x D 700 x H 2750	
<b>Ref.</b>	<b>FLEX-987-2250</b>	<b>FLEX-987-2750</b>	
Dimensions in mm	W 900 x D 700 x H 2250	W 900 x D 700 x H 2750	



**ACCESSORIES**

**CAMERA SUPPORT FOR FLOOR STANDS**


Endless configuration options....



**Order example:**

**Videowall floor stand 2x2 55" (W 1390 mm)**

- 2 x floor stands FLEX-943-2700
- 4 x connector 900 series FLEX-1827
- 2 x mounting bar FLEX-1802-2780
- 2 x set end caps FLEX-1812
- 2 x set adjustable mounting arms 391820
- 2 x set mounting arms 391819



**Order example:**

**Mobile display 2x1 42" (W 972 mm)**

- 1 x floor stands FLEX-984-2750
- 1 x connector 900 series FLEX-1827
- 1 x mounting bar FLEX-1800-1900
- 1 x set end caps FLEX-1812
- 2 x set mounting arms 391819



**Order example:**

**Videowall 3x1 42" (W 972 mm)**

- 2 x wall mount FLEX-1840
- 1 x mounting bar FLEX-1802-2900
- 1 x set end caps FLEX-1812
- 6 x set mounting arms 391819

