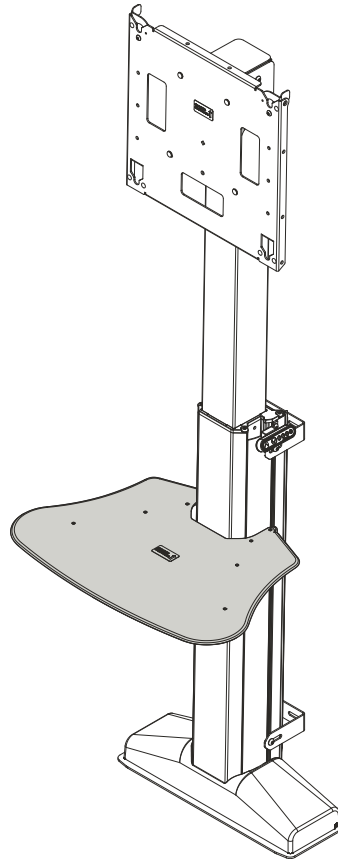


# INSTALLATION INSTRUCTIONS



---

**Component Shelf**

---

**CHIEF**

A brand of **legrand**

**PAC870**

## DISCLAIMER

Legrand | AV and its affiliated corporations and subsidiaries (collectively "Legrand | AV"), intend to make this manual accurate and complete. However, Legrand | AV makes no claim that the information contained herein covers all details, conditions or variations, nor does it provide for every possible contingency in connection with the installation or use of this product. The information contained in this document is subject to change without notice or obligation of any kind. Legrand | AV makes no representation of warranty, expressed or implied, regarding the information contained herein. Legrand | AV assumes no responsibility for accuracy, completeness or sufficiency of the information contained in this document.

Chief® is a registered trademark of Legrand AV Inc.

## DEFINITIONS

**MOUNTING SYSTEM:** A MOUNTING SYSTEM is the primary Chief product to which an accessory and/or component is attached.

**ACCESSORY:** AN ACCESSORY is the secondary Chief product which is attached to a primary Chief product, and may have a component attached or setting on it.

**COMPONENT:** A COMPONENT is an audiovisual item designed to be attached or resting on an accessory or mounting system such as a video camera, CPU, screen, display, projector, etc.

**WARNING:** A WARNING alerts you to the possibility of serious injury or death if you do not follow the instructions.

**CAUTION:** A CAUTION alerts you to the possibility of damage or destruction of equipment if you do not follow the corresponding instructions.

## IMPORTANT SAFETY INSTRUCTIONS!

**WARNING:** Failure to read, thoroughly understand, and follow all instructions can result in serious personal injury, damage to equipment, or voiding of factory warranty! It is the installer's responsibility to make sure all mounting systems/ accessories are properly assembled and installed using the instructions provided.

**WARNING:** Failure to provide adequate structural strength for this accessory can result in serious personal injury or damage to equipment! It is the installer's responsibility to make sure the structure to which this accessory is attached can support five times the combined weight of all equipment. Reinforce the structure as required before installing the accessory.

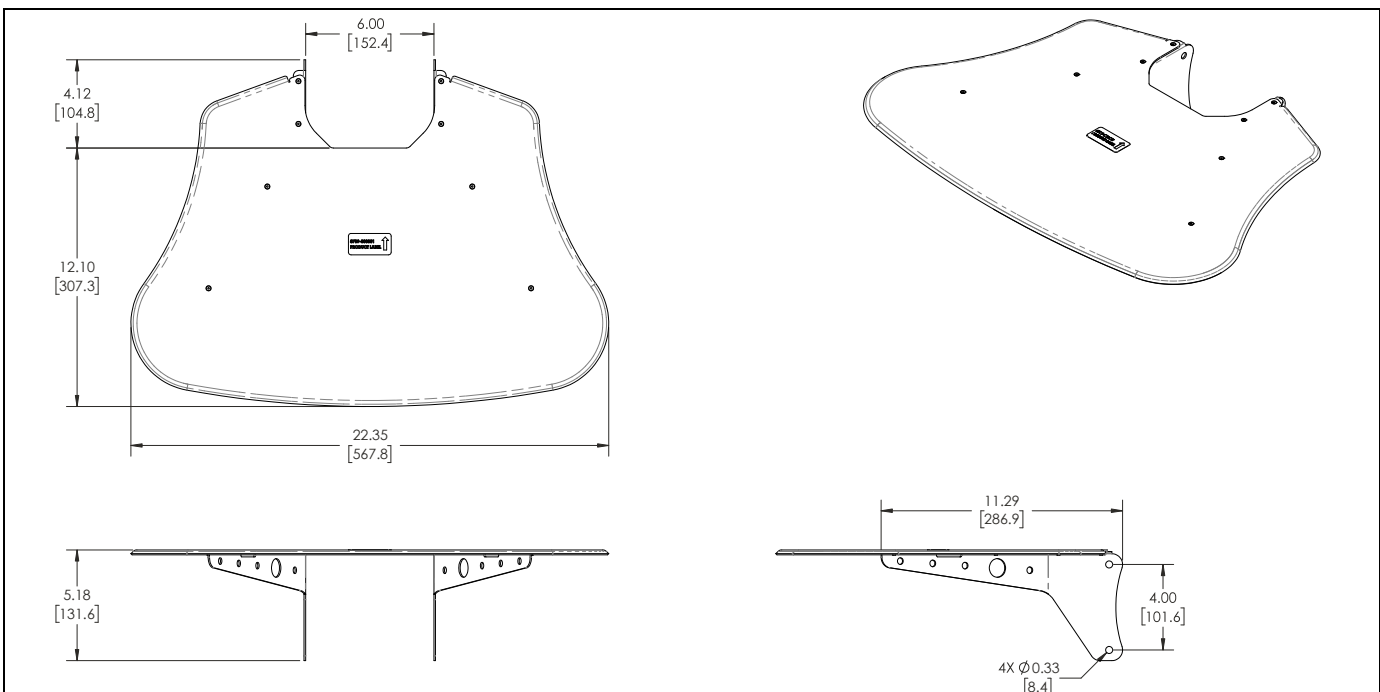
**WARNING:** Exceeding the weight capacity can result in serious personal injury or damage to equipment! It is the installer's responsibility to make sure the combined weight of all equipment and accessories mounted on the PAC870 does not exceed 25 lbs (11.34 kg).

**WARNING:** RISK OF INJURY TO PERSONS! Do not use this accessory to support video equipment such as televisions or computer monitors.

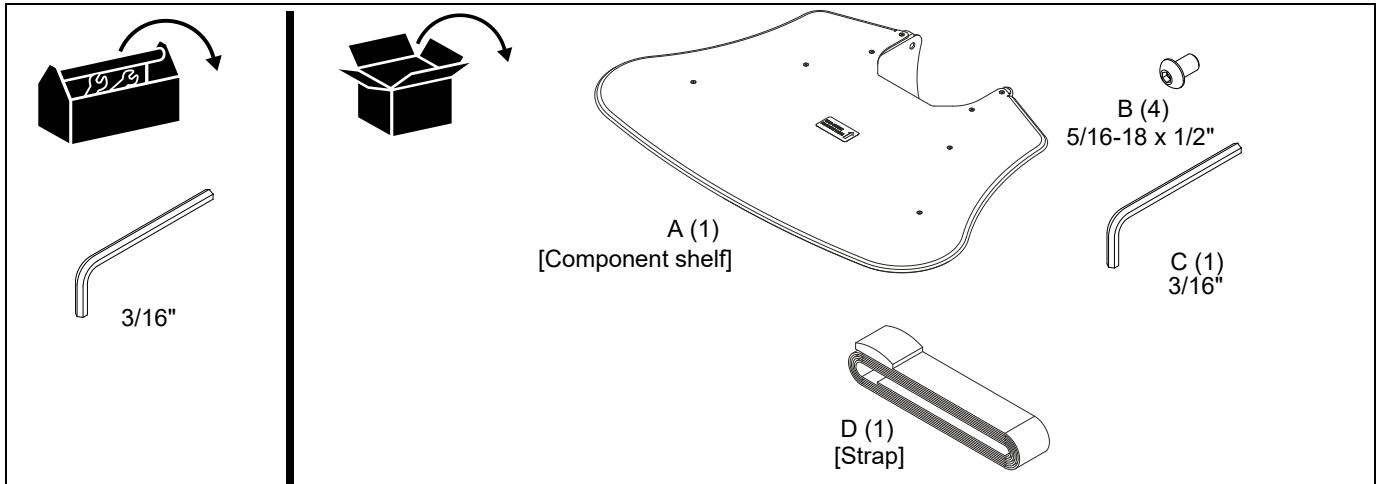
**WARNING:** Do not use this accessory outdoors.

**--SAVE THESE INSTRUCTIONS--**

## DIMENSIONS



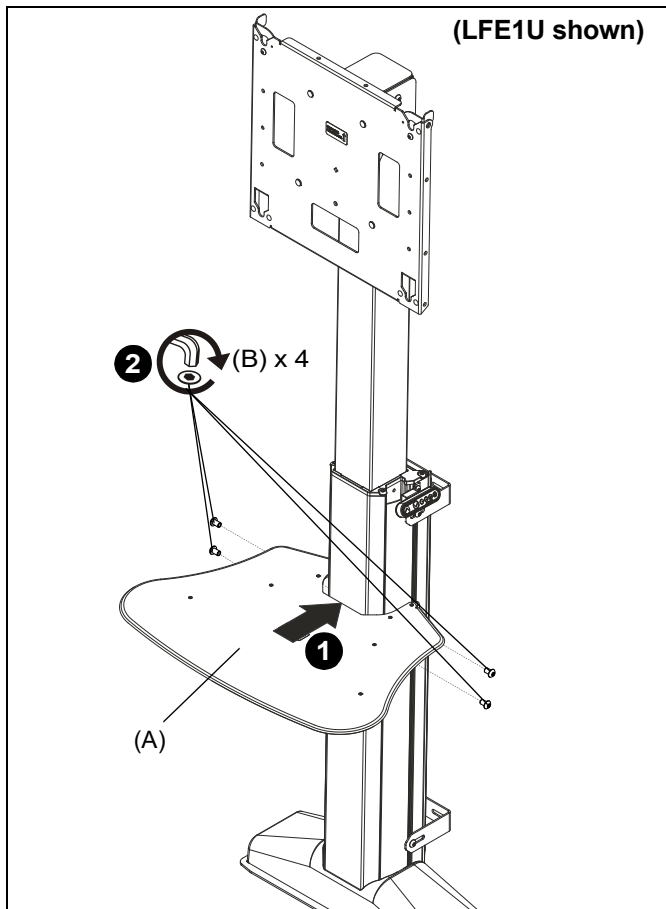
**TOOLS/PARTS REQUIRED FOR INSTALLATION**



**Installation**

**IMPORTANT ! :** The PAC870 is intended to be attached to Chief LXE1U mounting systems. Do NOT attempt to use with any other type of mounting system.

1. Position component shelf (A) around cart/stand column at desired mounting height. (See Figure 1)
2. Use four 5/16-18 x 1/2" button head cap screws (B) to secure component shelf (A) to column. (See Figure 1)



**Figure 1**



**CAUTION:** This shelf is intended for use with equipment weighing not more than 25 lbs (11.34 kg) and having dimensions that will permit it to sit evenly on this shelf. Use with other equipment may result in instability causing possible injury.



**CAUTION:** Do NOT sit or hang on the shelf. Such use may result in instability causing possible injury and damage to equipment.

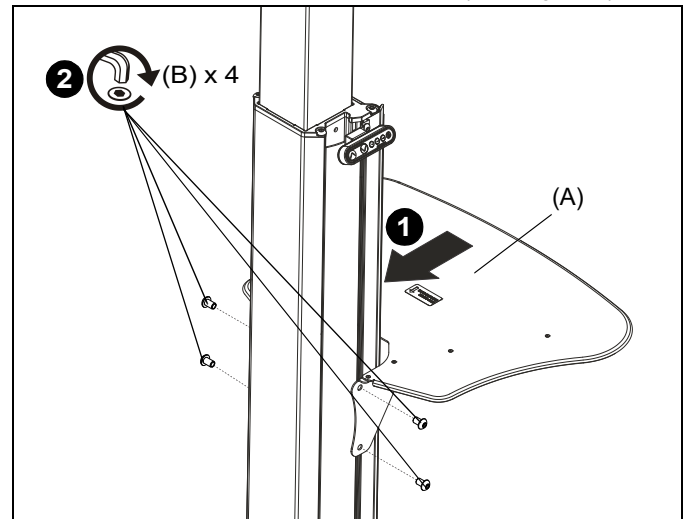


**CAUTION:** Equipment MUST be fastened to the shelf before moving the LPE1U cart. If equipment is not fastened to the shelf it MUST be removed before moving the cart.

3. Place equipment onto PAC870 shelf (A) using a strap (D) to secure.

**Rear Installation (LPE1U) Option**

**NOTE:** For the LPE1U cart, the shelf may be installed on the rear side rather than on the front. (See Figure 2)



**Figure 2**

The logo for CHIEF, featuring a stylized 'C' icon followed by the word 'CHIEF' in a bold, sans-serif font.

A brand of  **legrand**

8800-003168 Rev01  
©2019 Legrand | AV  
[www.legrandav.com](http://www.legrandav.com)  
10/19

<b>USA/International</b>	<b>A</b> 6436 City West Parkway, Eden Prairie, MN 55344 <b>P</b> 800.582.6480 / 952.225.6000 <b>F</b> 877.894.6918 / 952.894.6918
<b>Europe</b>	<b>A</b> Franklinstraat 14, 6003 DK Weert, Netherlands <b>P</b> +31 (0) 495 580 852 <b>F</b> +31 (0) 495 580 845
<b>Asia Pacific</b>	<b>A</b> Office No. 918 on 9/F, Shatin Galleria 18-24 Shan Mei Street Fotan, Shatin, Hong Kong <b>P</b> 852 2145 4099 <b>F</b> 852 2145 4477

