



Quick Release
No tools required



1829 mm

The new 800 series floorstands are specially designed to match slim line flat panels.

The 800 series free standing display is designed to cover today's questions. It's a slim line well thought of floor stand offering lots of options and solutions.

The column shape is nicely balanced in size for current slim-line fat panels.

The two hidden cable channels in the column are reachable by the two automatic closing doors. The 800 series column is available in a fixed version and Quick-Release tool-less rental version. By combining the floor stand with an Audipack flightcase all components are neatly organized in the flightcase together with the screen.

- ▲ **Elegant column design**
- ▲ **Landscape or portrait positioning of the panel**
- ▲ **Two integrated cable channels**
- ▲ **Continuous height adjustment**
- ▲ **Integrated measuring ruler for precise positioning**
- ▲ **Standard models or custom built available**



Easy cable access



Available with scratch resistant coating



Flat panel position ruler



Quick release, perfect rental solution

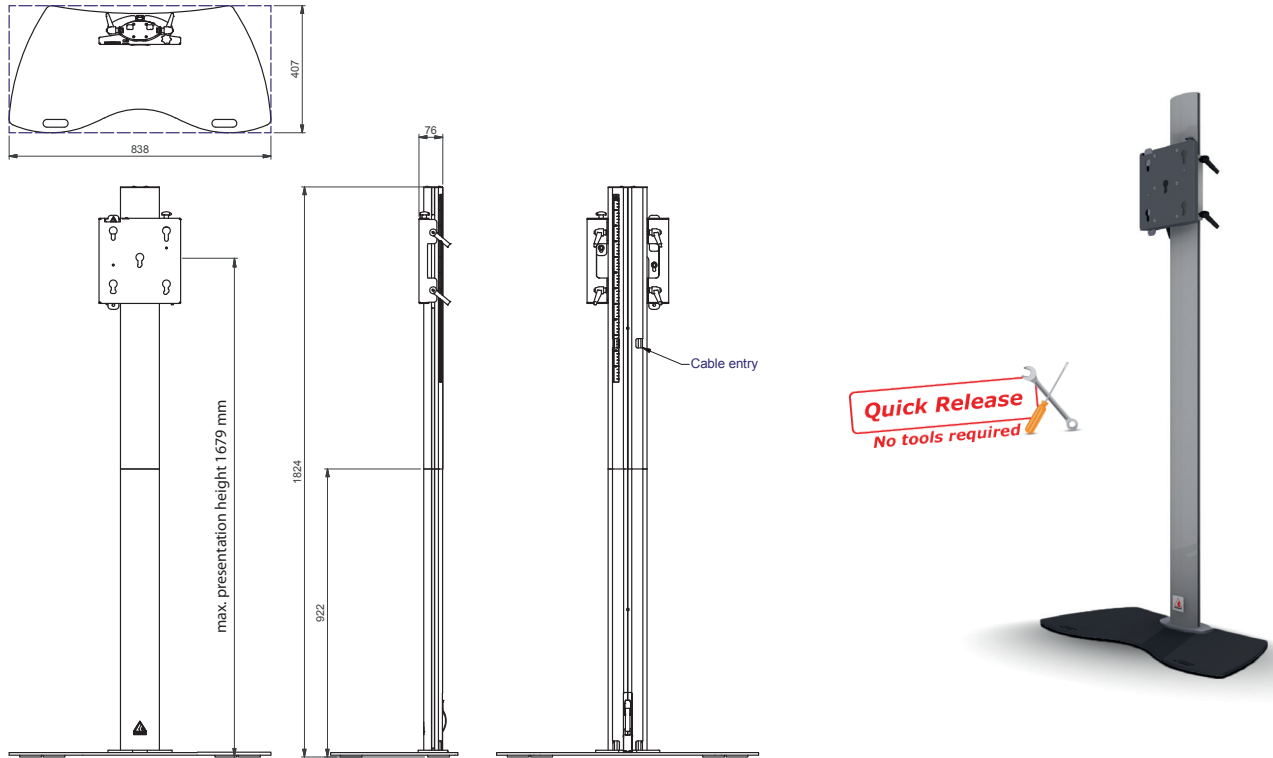


Audipack®

It's great to have solutions...

FACT SHEET

FS-801 (*BK)



Technical specifications

Dimensions in mm	W900 x D450 x H1829
Max. screen size	55 inch
Max. load	60 Kg
Max. pres. height	1679 mm (center screen)
Mounting interface	L&S 5
Colour	Floor plate: Black, RAL 9005 Columns: Anodised aluminium
Weight	25 Kg
Screen orientation	Landscape or Portrait

Optional

- Available with scratch resistant floorplate (FS-801BK)
- Mounting bracket (required for screen installation)
universal models and brand related models available
- Camera supports, EC-838
- Laptop supports, EC-815, EC-816
- Equipment holders, EC-1, EC-1AC, EC-835
- Mounting head for multiple screen installation, 390851
- Soundbar mounting interface, LSS-FS800
- Lock for protect the screen against theft, 230052