

LSS soundbar to floor stands

LSS-FS700 / 800 / 900

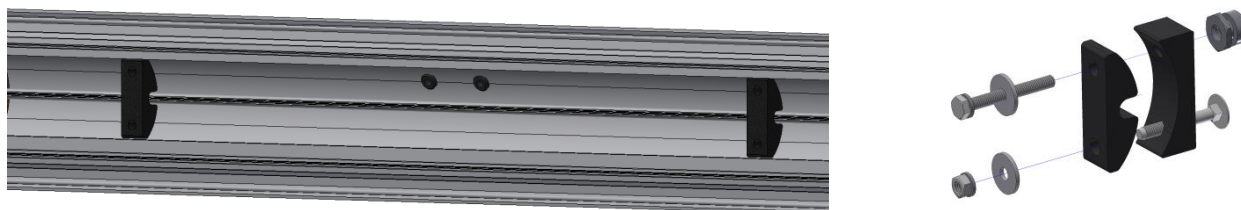


Audipack[®]

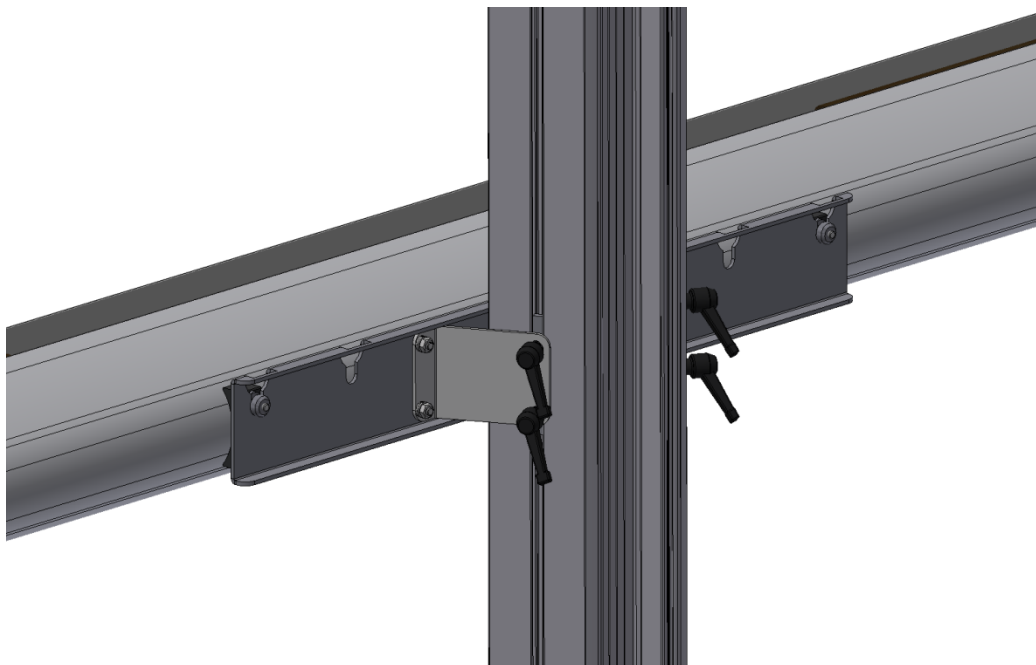
It's great to have solutions...

Floor stand mounting kit for LSS soundbar

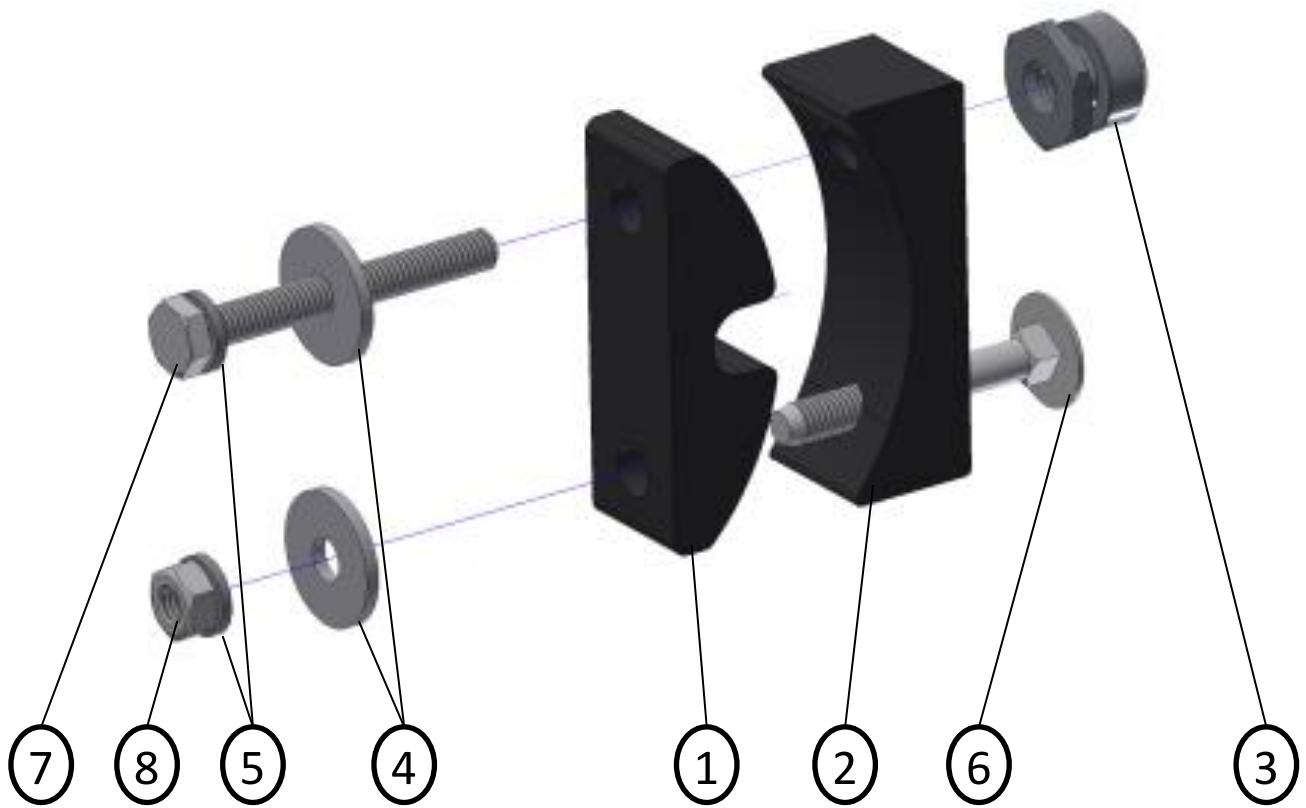
1. Install through the inside of the soundbar the plastic clips and assemble them as below.



2. Insert the metal mounting bracket in the T-slot of the floor stand / column and set the desired height (above or below a screen).



3. Click-in the soundbar with the mounting cam in the upper key-hole of the bracket.



ITEM	QTY	PART NUMBER	DESCRIPTION	STANDARD
1	2	801055	Bracket inside	
2	2	801056	Bracket outside	
3	2	392619	Mounting cam M6	
4	4	CARR - 6.5x20x2.0 - St - Verz	Washer	
5	4	DIN 127 - A 6 - ST 8.8	Spring washer	DIN 127
6	2	DIN 603 - M6x50 - ST 8.8	Special bolt	DIN 603
7	2	DIN 933 - M6x50 - ST 8.8	Bolt	DIN 933
8	2	DIN 934 - M6 - ST 8	Self locking nut	DIN 934

Audipack's general conditions of sales and delivery apply to all of Audipack's deliveries. These conditions can be downloaded from Audipack's website, www.audipack.com, or will be sent by post on request.

Audipack liefert ausschließlich unter die allgemeine Verkauf- und Lieferungsbedingungen von Audipack. Diese Bedingungen sind zum downloaden verfügbar auf die Webseite von Audipack, www.audipack.com, oder werden Ihnen auf Anfrage per Post gesendet.

Alle leveringen geschieden uitsluitend volgens de Algemene Verkoop- en Leveringsvoorwaarden van Audipack. Een afschrift hiervan kunt u downloaden van de website van Audipack, www.audipack.com, of wordt u op aanvraag gestuurd per post.

Les conditions de vente et de livraison de Audipack s'appliquent à tous les livraisons de Audipack. Cette conditions sont disponible sur le site internet de Audipack, www.audipack.com, où seront envoyé par poste sur demande.

AUDIPACK

Industriestraat 2-4
2751 GT Moerkapelle
the Netherlands

Tel: +31(0)795931671
Fax: +31(0)795933115
Email: audipack@audipack.com

www.audipack.com

Audipack reserves the right to make changes in specifications and other information contained in this document without prior written notice. The information provided herein is subject to change without notice. In no event shall Audipack be liable for any incidental, special, indirect, or consequential damages whatsoever, including but not limited to lost profits, arising out of or related to this manual or the information contained herein, even if Audipack has been advised of, known, or should have known, the possibility of such damages.