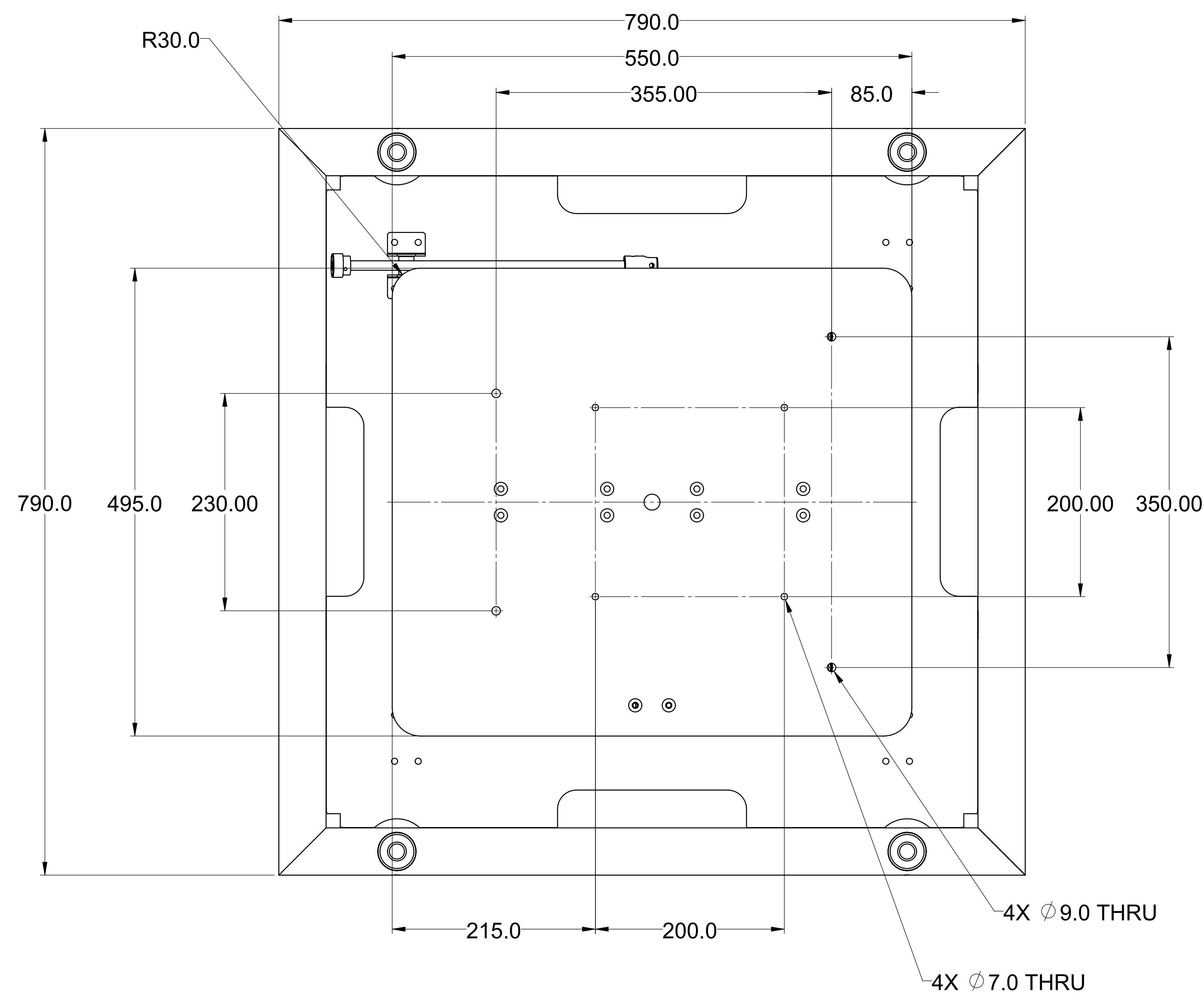
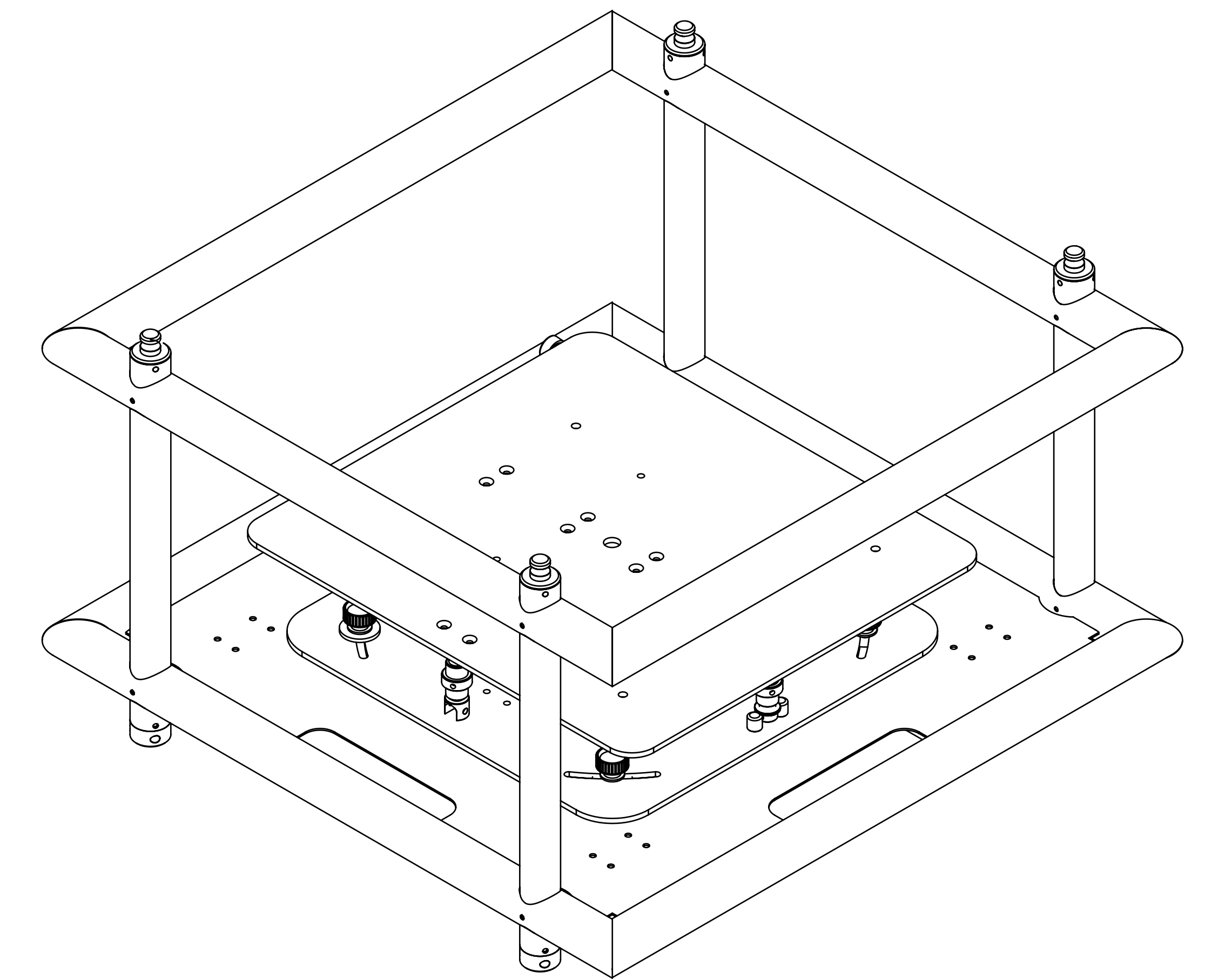
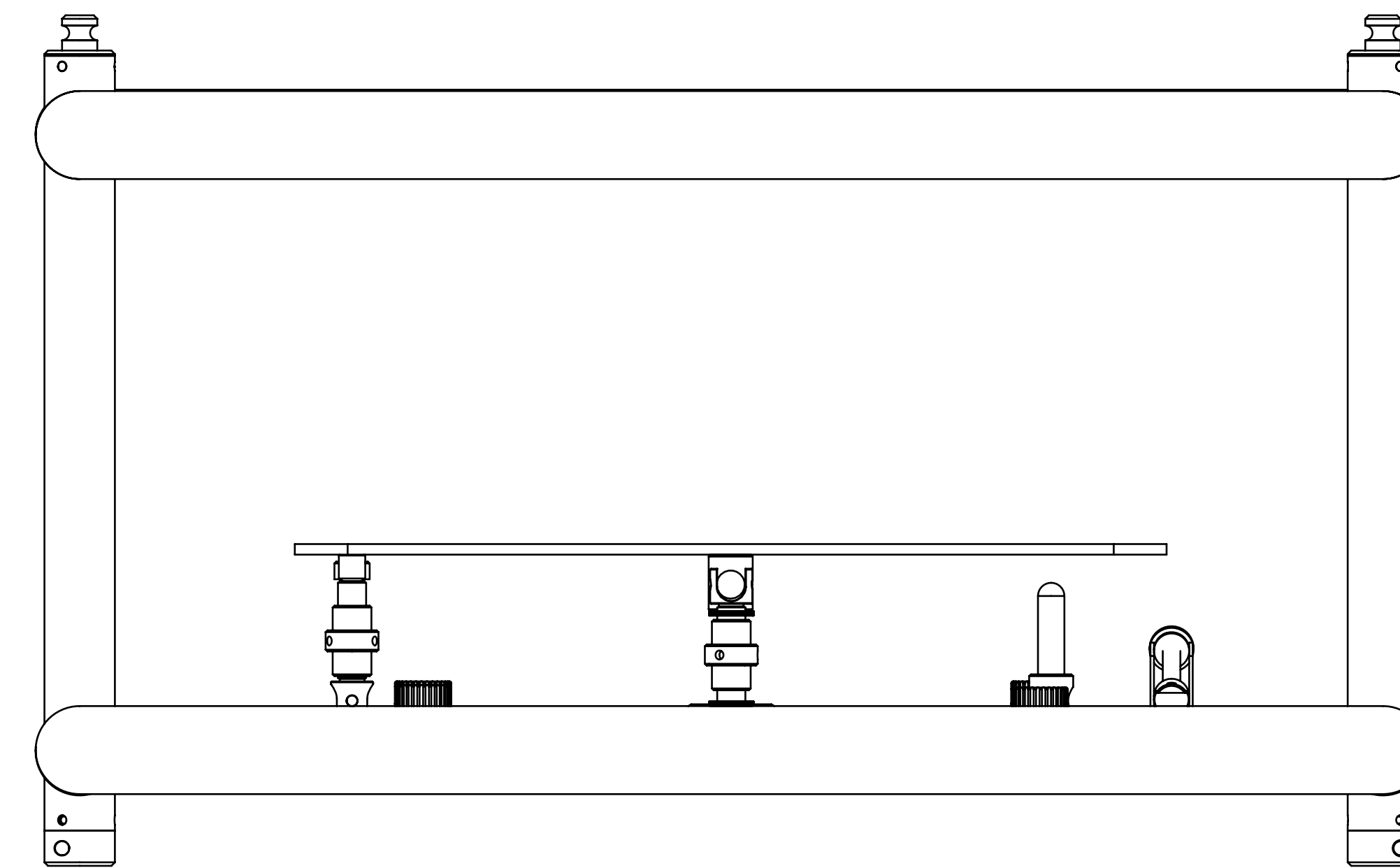
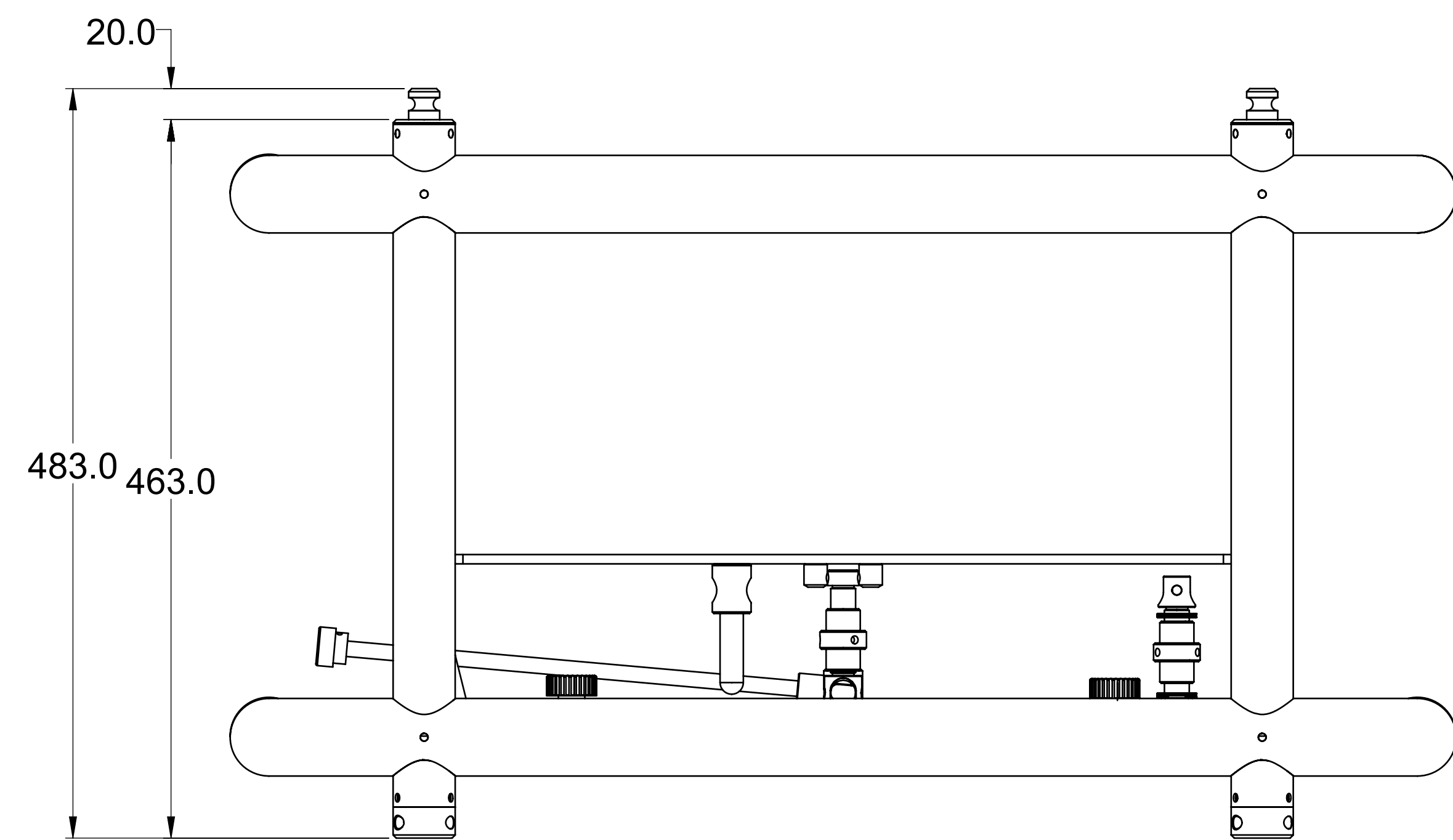
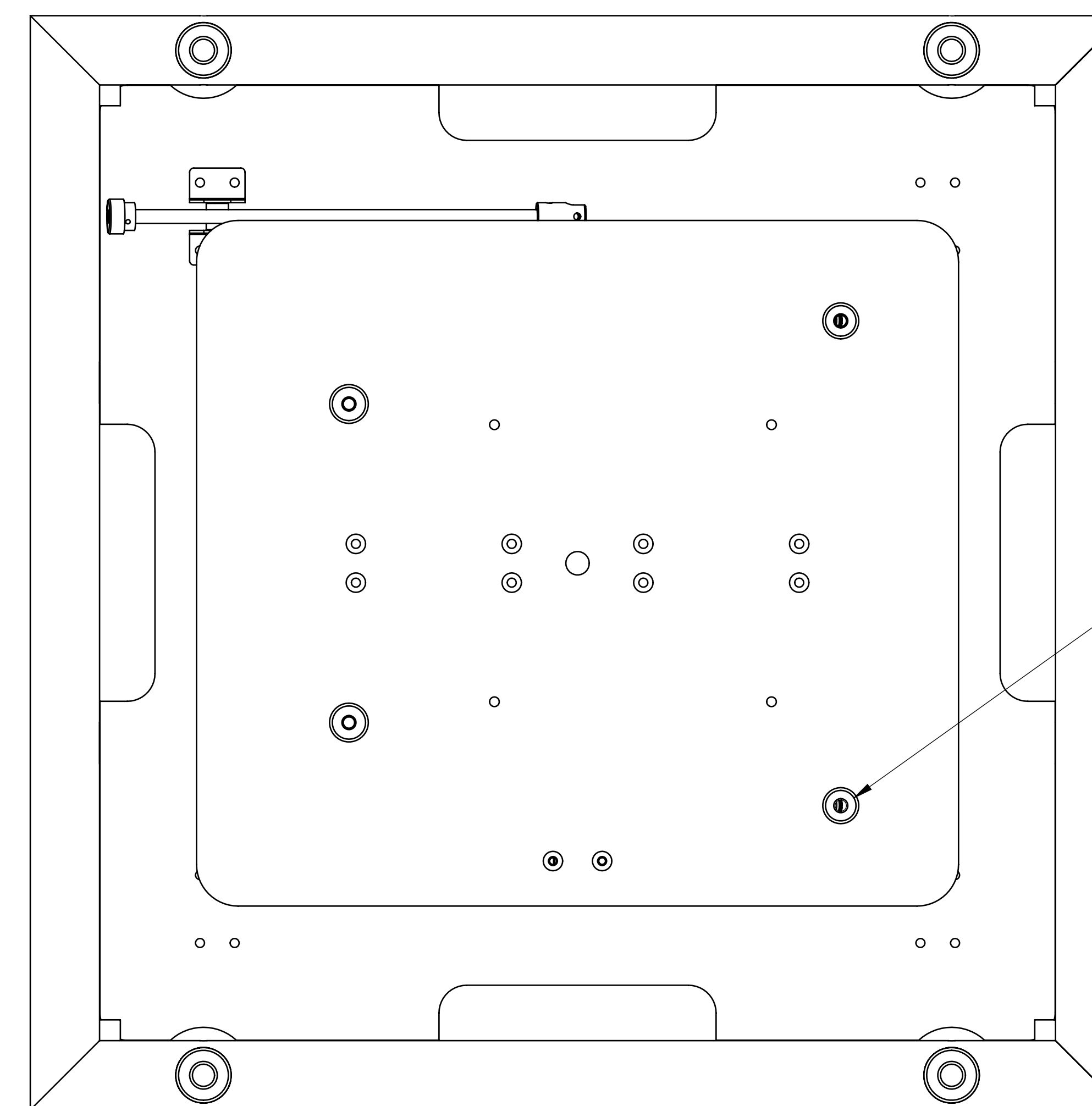


REVISION HISTORY OF: 020-000809-02			
REV	DESCRIPTION OF CHANGE	BY	REV DATE
01	INITIAL RELEASE	JL	05/25/2016



WITH SPACERS, USED WITH HS SERIES



4X SPACERS
PN: 012-103288-01

Note: Designed for use with H Series, Q Series and HS Series projectors.
Up to three projectors can be stacked in landscape orientation.
A single projector can be positioned in portrait mode – DO NOT STACK.
Rigging frame weight is approximately 40.37 kg (89lbs).

UNITS	INCHES	MILLIMETRES	DRAWN BY	J. LIU
UNLESS OTHERWISE SPECIFIED				
INTERPRET DIMENSIONS AND TOLERANCES PER ASME Y14.5M-1994				
TOLERANCES APPLY AS SHOWN BELOW				
DECIMAL PLACES	INCHES	MILLIMETRES	APPROVED BY	G. DONG
XXX	±.043	± 1.1	APPROVAL DATE	05/24/2016
XX	±.125	± 3.1	PROPRIETARY	
X	±.250	± 6.3	NOT TO BE DISCLOSED OR REPRODUCED IN ANY MANNER WITHOUT THE EXPRESS WRITTEN PERMISSION OF CHRISTIE	
ANGULAR DIMENSIONS			THIRD ANGLE PROJECTION	
XX°	± 0.1°		PART DESCRIPTION	
XX'X"	± 0.1°		PART NUMBER	
			E	
			020-000809-02	
			REVISION	
			01	
			SCALE	
			1:3	
			MATERIAL	
			- LBS (- KG)	
			SHEET 1 OF 1	

CHRISTIE CHRISTIE DIGITAL SYSTEMS USA, INC. CHRISTIE DIGITAL SYSTEMS CANADA, INC.

CHRISTIE ONE RIGGING FRAME

020-000809-02