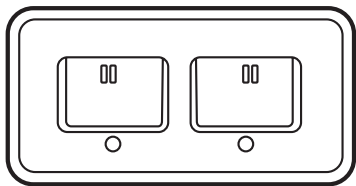


Microphone Charging Dock AW315C Quick Guide



Disclaimer

All pictures contained in this documentation are example images only. The images may vary depending on the product and software version. Information presented in this documentation has been carefully checked for reliability; however, no responsibility is assumed for inaccuracies. The information contained in this documentation is subject to change without notice.

Copyright and Trademark Information

© 2018 by AVerMedia Technologies, Inc. All rights reserved. No part of this publication, in whole or in part, may be reproduced, transmitted, transcribed, altered or translated into any language in any form by any means without the written permission of AVerMedia Technologies, Inc. Information and specification contained in this manual are subject to change without notice and do not represent a commitment on the part of AVerMedia.

For more information, please visit www.avermedia.com.

AVerMedia is trademark or registered trademark of AVerMedia Technologies, Inc.

Headquarters

Address No.135, Jian 1st Rd., Zhonghe Dist., New Taipei City 23585, Taiwan

Website www.avermedia.com

Support www.avermedia.com/education/support_fa

Telephone +886-2-2226-3630

US Office

Address 47358 Fremont Blvd., Fremont, CA 94538, United States

Website www.avermedia-usa.com

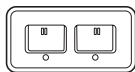
Telephone +1 (510) 403 0006

Important Safety Instructions

1. Read these instructions.
2. Keep these instructions.
3. Follow all instructions.
4. Heed all warnings.
5. Do not use the apparatus on uneven or unstable surfaces.
6. Do not use this apparatus in a wet environment or near water.
7. Unplug the apparatus before cleaning. Clean only with a dry cloth.
8. Use in a well ventilated environment. Do not block any ventilation openings.
9. Use the apparatus within ambient temperatures 32–104°F (0–40°C).
10. Use power sources within the specified voltage range.
11. Do not place heavy objects on the apparatus.
12. Do not install near heat sources such as radiators or stoves.
13. Do not defeat the safety purposes of the polarized or grounding-type plug.
14. Protect the power cord from being walked on or pinched, particularly where the cord connects with plugs or adapters.
15. Only use the attachments and accessories specified by the manufacturer.
16. Unplug this apparatus during lightning or when unused for prolonged periods of time.
17. Do not modify or disassemble the apparatus in any way.
18. Refer all servicing to AVerMedia Customer Service.
19. Do not dispose the apparatus as general household waste. Dispose in accordance with local environmental laws.

Inside the Box

These are what you'll find in the box:



Microphone
Charging Dock

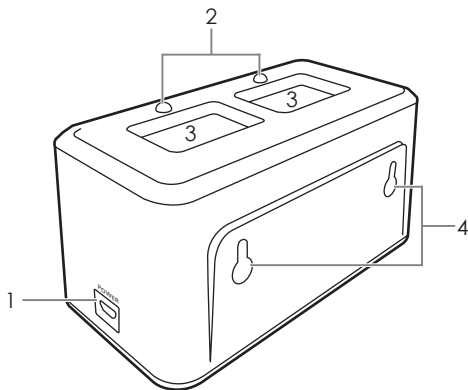


Quick Guide



USB Power
Cable

Parts and Ports



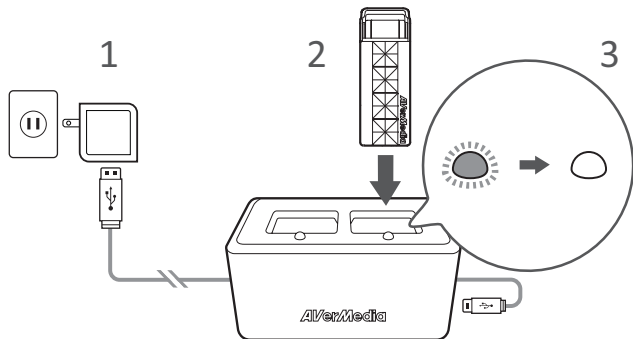
1 USB Power Input

2 LED Indicators

3 Charging sockets

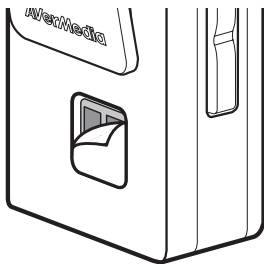
4 Mounting Keyholes

Installation & Charging



1. Connect the charging dock to a power outlet (AC adapter not included, 5V 1A or higher recommended).
2. Insert your Smart Microphone (AW313T) into a socket to start charging.*
3. The charging is complete when the orange LED indicator turns off.

* If your microphone's charging contact is covered by a plastic sheet, remove it before charging.

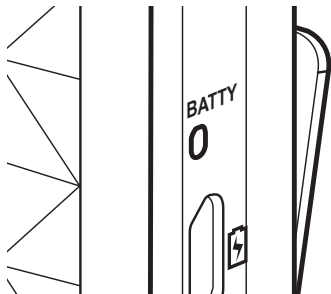


LED Indications

Solid Orange: Charging

Off: Fully Charged

Note: The Smart Microphone has a built-in controller unit and it's more accurate at battery indication, although optional, you can refer to its BATTY LED being turned off for a fully charged battery.





Federal Communications Commission Statement Class B

This device complies with Part 15 of the FCC Rules. Operation is subject to the following two conditions: (1) this device may not cause harmful interference, and (2) this device must accept any interference received, including interference that may cause undesired operation.

NOTE - This equipment has been tested and found to comply with the limits for a Class B digital device, pursuant to Part 15 of the FCC Rules. These limits are designed to provide reasonable protection against harmful interference in a residential installation. This equipment generates, uses and can radiate radio frequency energy and, if not installed and used in accordance with the instructions, may cause harmful interference to radio communications. However, there is no guarantee that interference will not occur in a particular installation. If this equipment does cause harmful interference to radio or television reception, which can be determined by tuning the equipment off and on, the user is encouraged to try to correct the interference by one or more of the following measures:

- Reorient or relocate the receiving antenna.
- Increase the separation between the equipment and receiver.
- Connect the equipment into an outlet on a circuit different from that to which the receiver is connected.
- Consult the dealer or an experienced radio/television technician for help.

CAUTION ON MODIFICATIONS - To comply with the limits for the Class B digital device, pursuant to Part 15 of the FCC Rules, this device must be installed in computer equipment certified to comply with the Class B limits. All cables used to connect the computer and peripherals must be shielded and grounded. Operation with non-certified computers or non-shielded cables may result in interference to radio or television reception.

Changes and modifications not expressly approved by the manufacturer or registrant of the equipment can void your authority to operate the equipment under Federal Communications Commission rules.

Charger



Model No.: AW315C
P/N: 300AAW315EA5
MADE IN TAIWAN

www.avermedia.com