

SMQ-4301 4K SURVEILLANCE DISPLAY WITH BNC

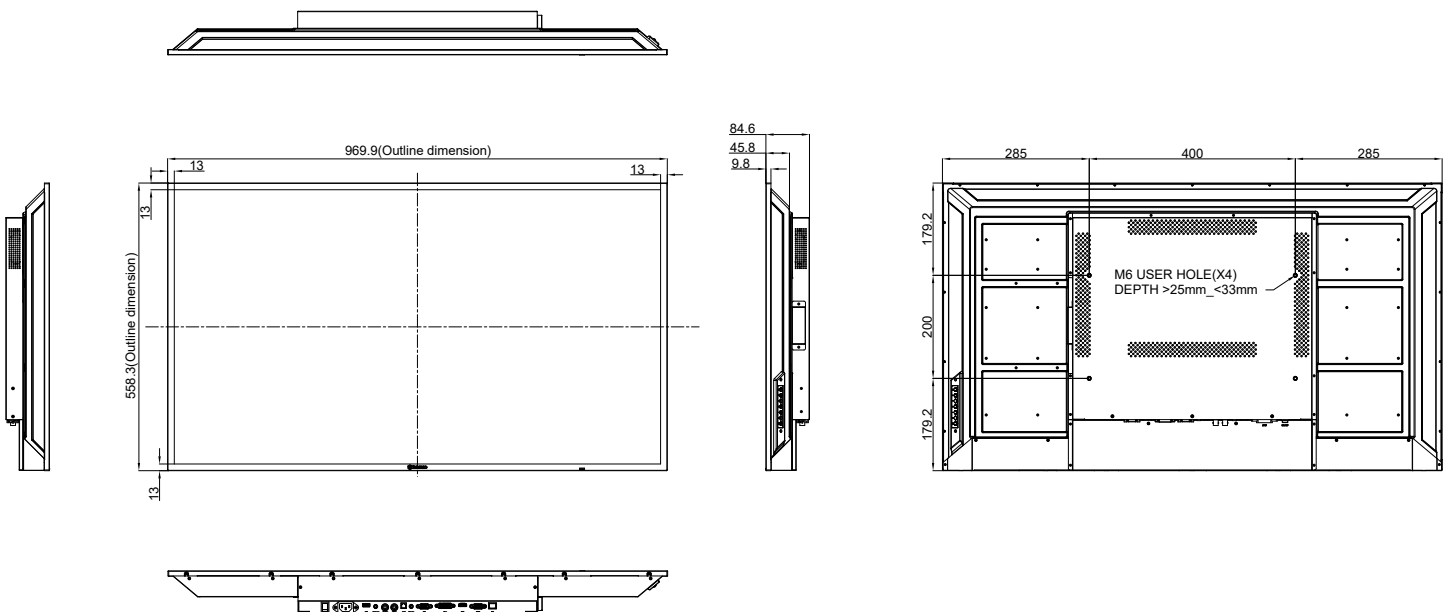


FEATURES

- 4K UHD 3840 x 2160 resolution
- Anti-Burn-in™ technology prevents image ghosting
- Image Enhancer: 3D Comb Filter / Deinterlace / Noise Reduction
- Versatile connectivity: HDMI, DVI, VGA, Composite (BNC)
- BNC passive loop-through output port
- RS232/LAN Control - provides compatibility with control systems
- Black-level adjustment for presenting more details in dark images
- Selectable gamma curves optimise different kinds of images
- CCTV picture mode for maximum image detail in low light footage
- Optional blue or black screen when no input signal is detected
- Lockable control keys to prevent tampering in public environments
- Commercial-grade panel for high reliability and long product lifetime
- 24/7 Operation with a rugged metal housing design

The SMQ-4301 is a durable 43-inch 4K surveillance display. The display technology is future-proof and compatible with both analogue and digital surveillance systems. It provides 24/7 nonstop operation in the control rooms. The display supports up to 8MP camera image quality and can present crisp video footage, especially when zooming in the images for further detail checking. This level of image quality promotes more efficient and accurate video surveillance analysis. The SMQ-4301 features AG Neovo patented Anti-Burn-in™ Technology, preventing LCD burn-in during a surveillance operation. The technology also includes PID command & Ctrl software for easy management of multiple displays in security environments.

TECHNICAL DRAWING



SPECIFICATIONS

Panel

Panel Type	LED-Backlit TFT LCD (IPS Technology)
Panel Size	43"
Max. Resolution	UHD 3840 x 2160
Pixel Pitch	0.245 mm
Brightness	350 cd/m ²
Contrast Ratio	1200:1
Viewing Angle (H/V)	178°/178°
Display Colour	1.07B
Response Time	5 ms
Surface Treatment	Anti-Glare Treatment (Haze 1%), 3H Hard Coating

Frequency

Frequency (H)	15KHz~135KHz
Frequency (V)	24Hz ~ 86 Hz

Signal Input

HDMI	2.0 x 1
DVI	24-Pin DVI-D
VGA	15-Pin D-Sub x 1
Composite	BNC x 1

Signal Output

Composite	BNC x 1
-----------	---------

External Control

RS232 In	9-Pin D-Sub
LAN	RJ45 x 1

Other Connectivity

USB	2.0 x 1 (Service Port)
-----	------------------------

Audio

Audio In	Stereo Audio Jack (3.5 mm)
Audio Out	Stereo Audio Jack (3.5 mm), S/PDIF
Internal Speakers	5 W x 2

Power

Power Requirements	AC 100-240V, 50/60 Hz
On Mode	75W
Standby Mode	<0.5W
Off Mode	<0.3W
Power Supply	Internal

Operating Conditions

Temperature	0°C-40°C (32°F-104°F)
Humidity	20%-85% (non-condensing)

Storage Conditions

Temperature	-10°C-60°C (-4°F-140°F)
Humidity	10%-95% (non-condensing)

Mounting

VESA FPMPMI	Yes (400 x 200 mm)
-------------	--------------------

Dimensions

Product w/o Base (W x H x D)	969.9 x 558.3 x 84.6 mm (38.2" x 22.0" x 3.3")
Packaging (W x H x D)	1070.0 x 663.0 x 153.0 mm (42.1" x 26.1" x 6.0")

Weight

Product w/o Base	9.0 kg (19.8 lb)
Packaging	11.7 kg (25.4 lb)

Regulation Approval

Certifications & Compliance	CE, LVD, WEEE, RoHS, REACH, EAC, UKCA
-----------------------------	---------------------------------------

Accessories

Supplied	Power Cord, HDMI Cable, Remote Control, Batteries, Quick Start Guide
----------	--

Optional Accessories

Video Wall Mount	VWM-01, VWM-02
Ceiling Mount (Landscape only)	CMP-01+LMK-01, CMP-01+LMK-02
Wall Mount (Landscape only)	LMA-01, LMK-01, LMK-02, LMK-03, LMA-02
Floor Mount (Landscape only)	FMS-01, FMS-02, FMC-02, FMC-05B, FWL-01B
Desk mount (Landscape only)	DTS-01

