



Audipack®

It's great to have solutions...

FACT SHEET

PSF projector stack-frames



Light weight projector stack-frame with build-in 3D projector adjustment.

Audipack PSF stackframes offer an outstanding functionality and are very easy of use. They are perfect for protecting your projector, but also to mount and adjust one or more projectors to for example a seamless projection screen with multiple projectors.

The projector platform can be adjusted in 3 axis and aligns the Projected image perfectly pixel on pixel with on the projection screen. The lugs enable quick and easy mounting of steel cabling to fly the Stack-frame.

The 50 mm aluminium tubes enable to stack equal and non equal frames to each other by using standard truss accessories. Equal sized frames stack neatly on each other and interlock immediately.

A representative frame with maximum functionality



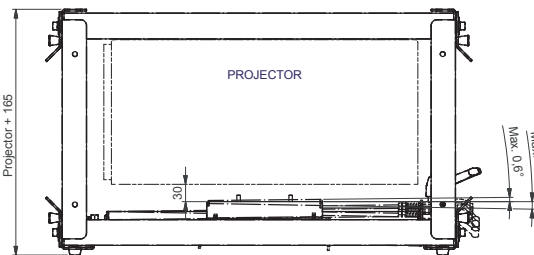
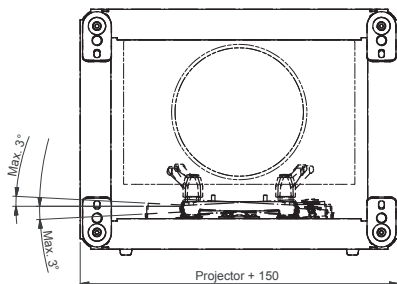
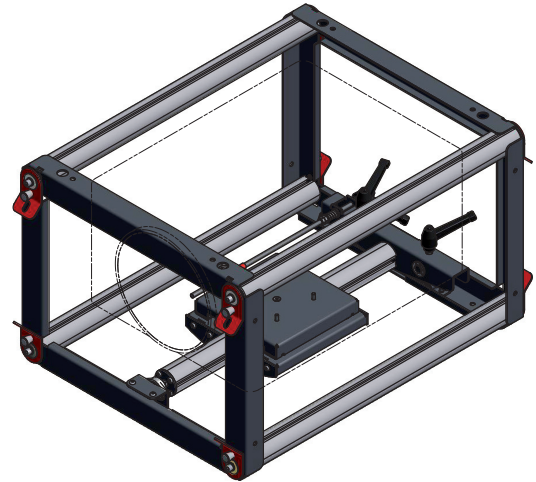
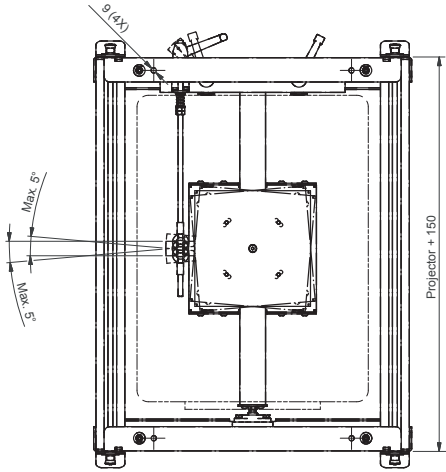


Audipack®

It's great to have solutions...

FACT SHEET

PSF projector stack-frames



Benefits:

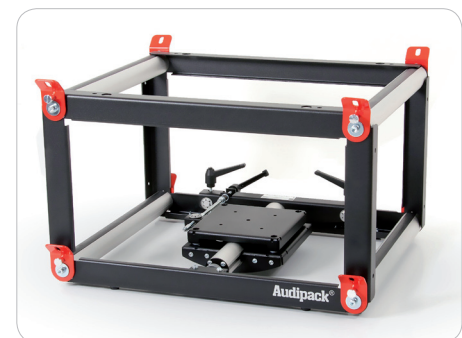
- ▲ **Light weight construction**
- ▲ **Modern, ergonomic and functional design**
- ▲ **Stackable with equal and not equal sized frames**
- ▲ **Adjustable in size with optional spare parts**

Technical specifications:

Aluminium & steel bolt connected frame
 Rotatable steel cable mounting ears
 50 mm aluminium tubes
 Double T-slot for installing extra equipment.
 Standard colour black & anodized aluminium (red steel cable brackets)
 Max. Load 30 Kg

Optional

Double coupler truss hooks (260210)
 Safety cables (399941)
 Custom sizes



Dimensions ar indications, not to be used for any preparations. No rights can be derived from the above dimensions