

Manual

391705 mounting head

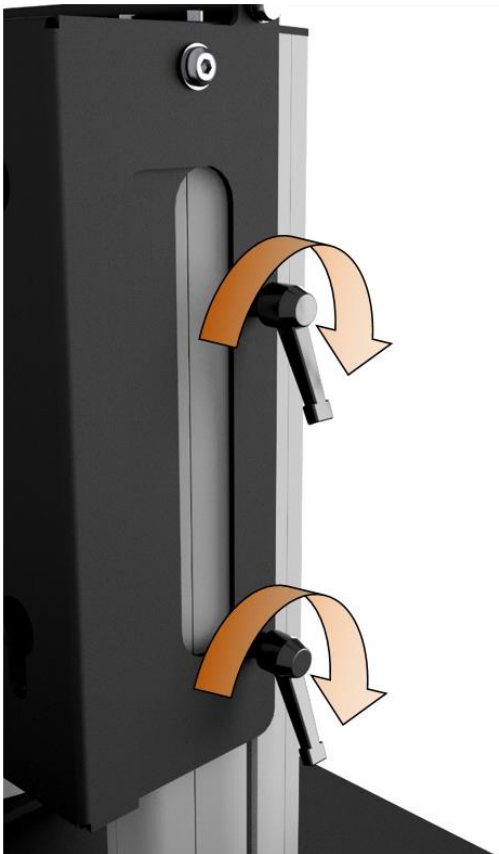


Lock the mounting head – **Vergrendel de montagekop**

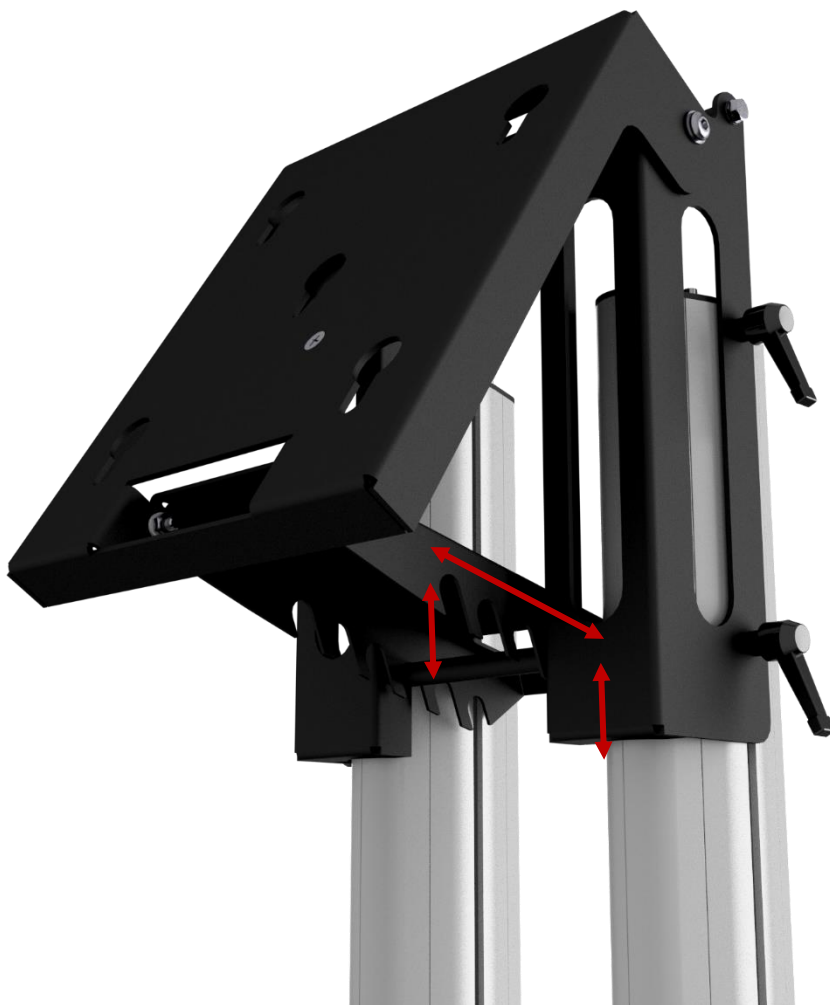
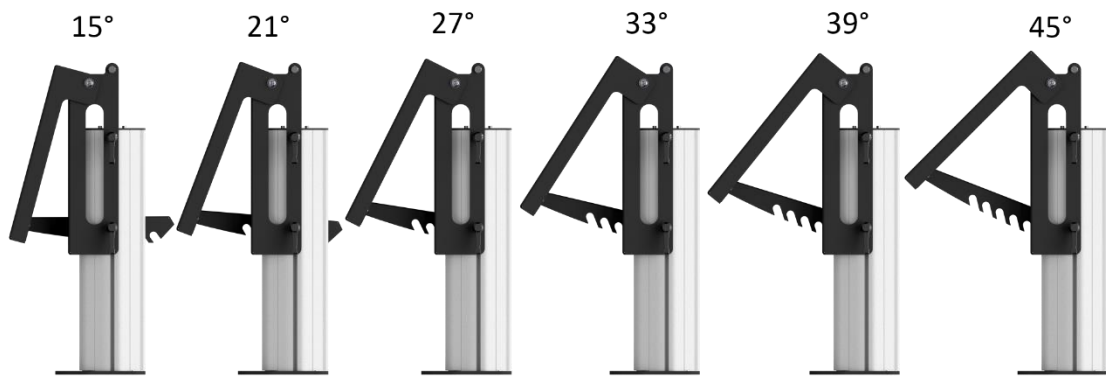


MINIMUM

MAXIMUM



Viewing angle settings – Kijkhoekverstelling



Audipack's general conditions of sales and delivery apply to all of Audipack's deliveries. These conditions can be downloaded from Audipack's website, www.audipack.com, or will be send by post on request.

Audipack liefert ausschließlich unter die allgemeinen Verkauf- und Lieferungsbedingungen von Audipack. Diese Bedingungen sind zum Herunterladen verfügbar auf die Webseite von Audipack, www.audipack.com, oder werden Ihnen auf Anfrage per Post gesendet.

Alle leveringen geschieden uitsluitend volgens de Algemene Verkoop- en Leveringsvoorwaarden van Audipack. Een afschrift hiervan kunt u downloaden van de website van Audipack, www.audipack.com, of wordt u op aanvraag gestuurd per post.

Les conditions de Vente et de livraison de Audipack s'appliquent à tous les livraisons de Audipack. Ces conditions sont disponibles sur le site internet de Audipack, www.audipack.com, où seront envoyé par poste sur demande.

AUDIPACK

Industriestraat 2

2751 GT Moerkapelle

The Netherlands

Tel: +31(0)795931671

Email: audipack@audipack.com

www.audipack.com

Audipack reserves the right to make changes in specifications and other information contained in this document without prior written notice. The information provided herein is subject to change without notice. In no event shall Audipack be liable for any incidental, special, indirect, or consequential damages whatsoever, including but not limited to lost profits, arising out of or related to this manual or the information contained herein, even if Audipack has been advised of, known, or should have known, the possibility of such damages.