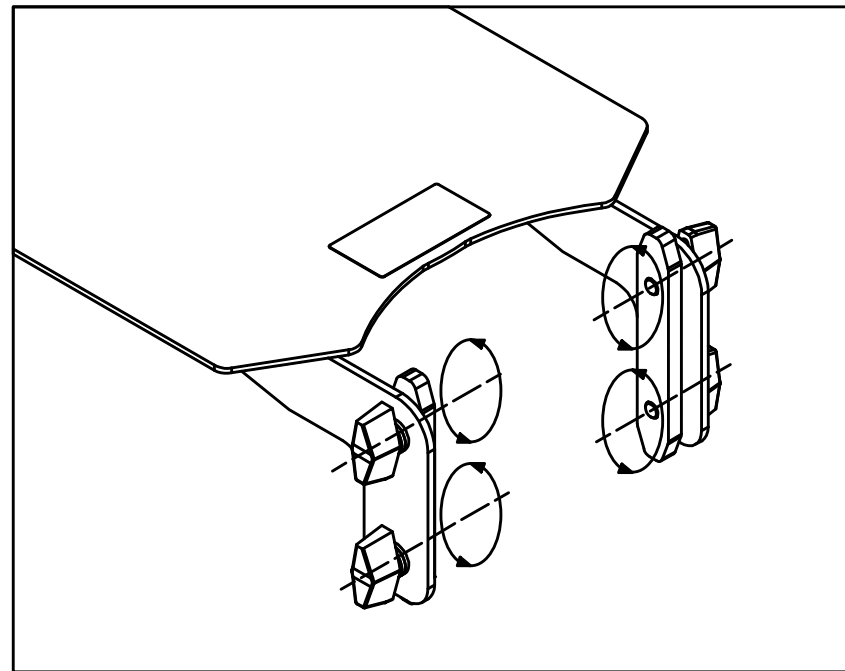
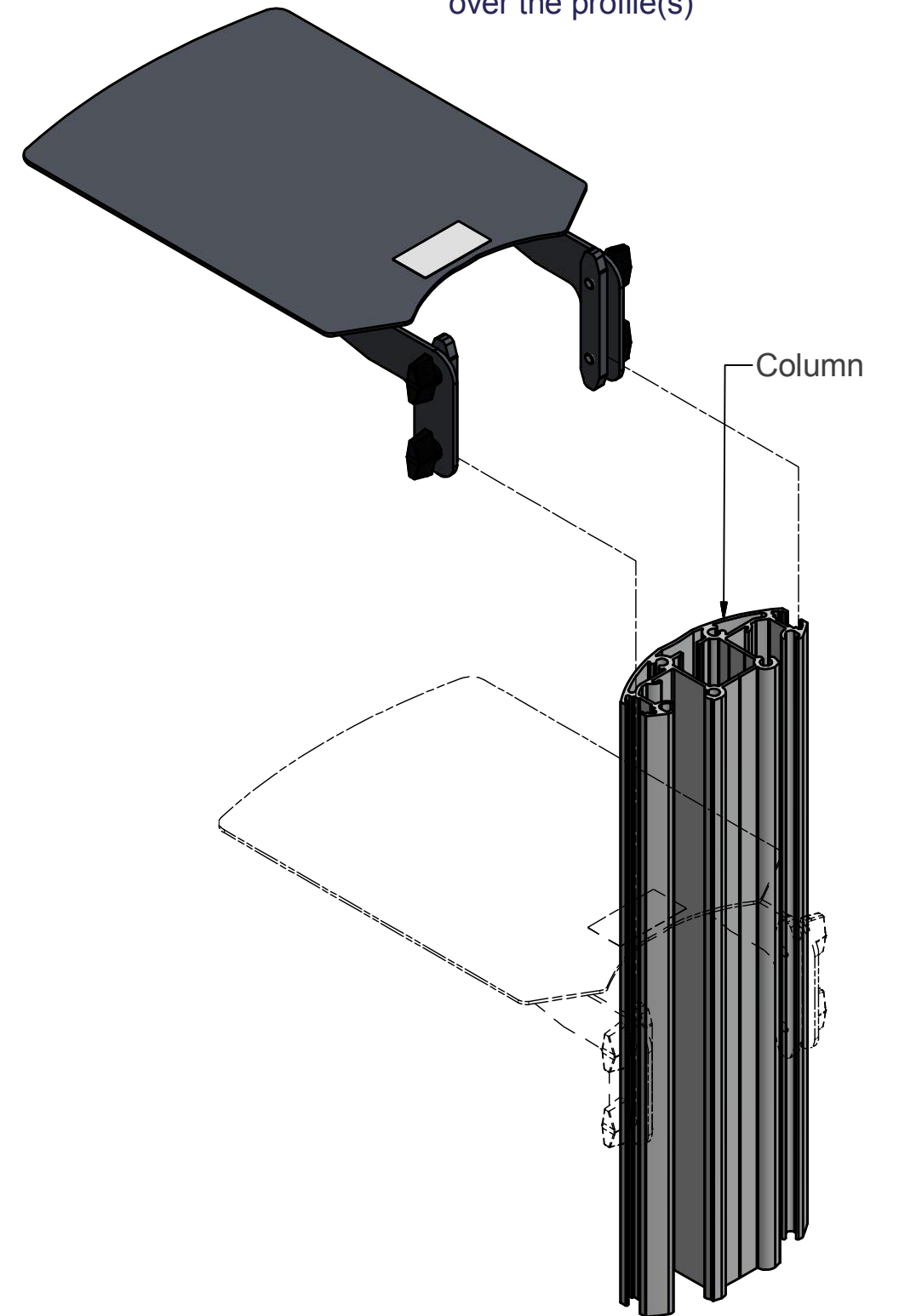


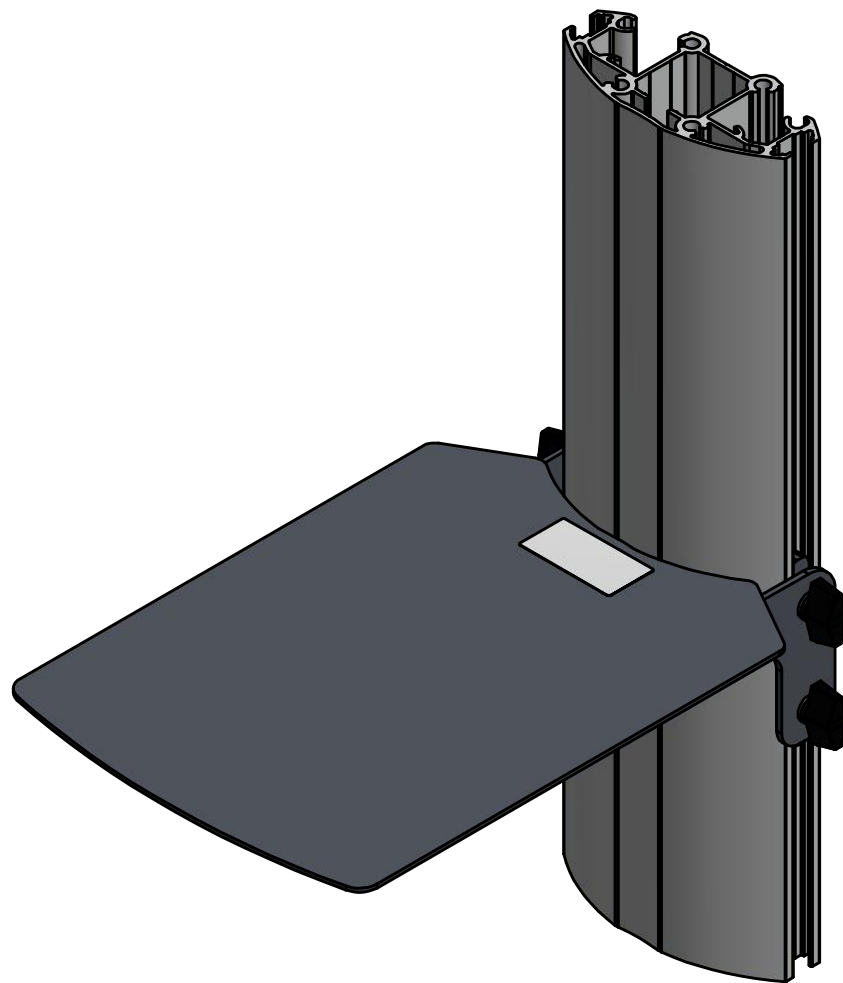
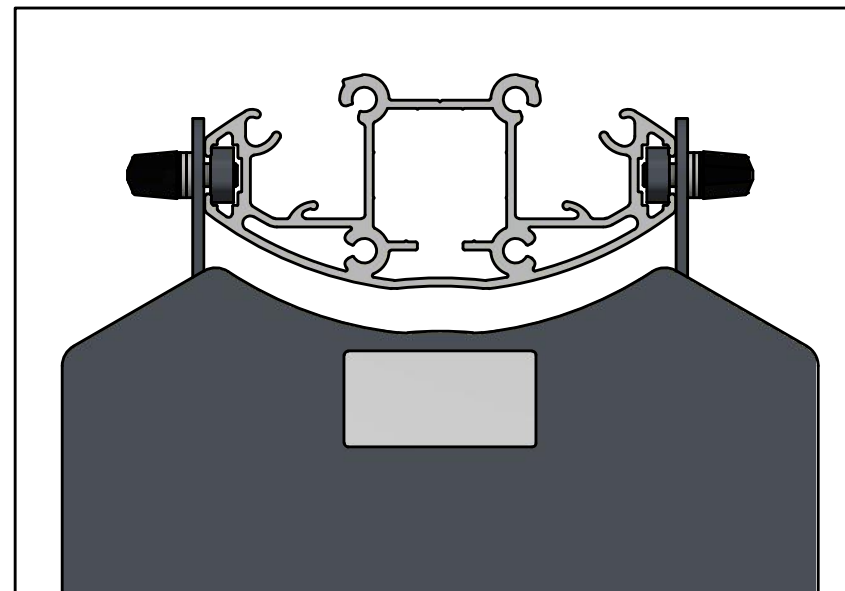
1. Loosen the clamb with the knobs



2. Slide the equipment support over the profile(s)




3. Adjust the height by tightning the knobs



"See Product Label"

NOTE: All dimensions are ±..., in mm and subject to change

<p>© COPYRIGHT AUDIPACK This print and the information shown thereon, is the property of AUDIPACK. It may not be delivered to others nor reproduced for general circulation without the written consent of the AUDIPACK engineering department.</p>	 <p>AUDIPACK Industriestraat 2-4 2751 GT Moerkapelle the Netherlands Tel: +31(0)795931671 Fax: +31(0)795933115 www.audipack.com</p>
<p>Situation EC-838</p>	<p>CAMERA PLATEAU B 200 x D 250 mm</p>

Dimensions are indications, not to be used for any preparations. No rights can be derived from the above dimensions.