

Flat panel housings

Flat panel behuizingen

Montagehandleiding
Installation manual

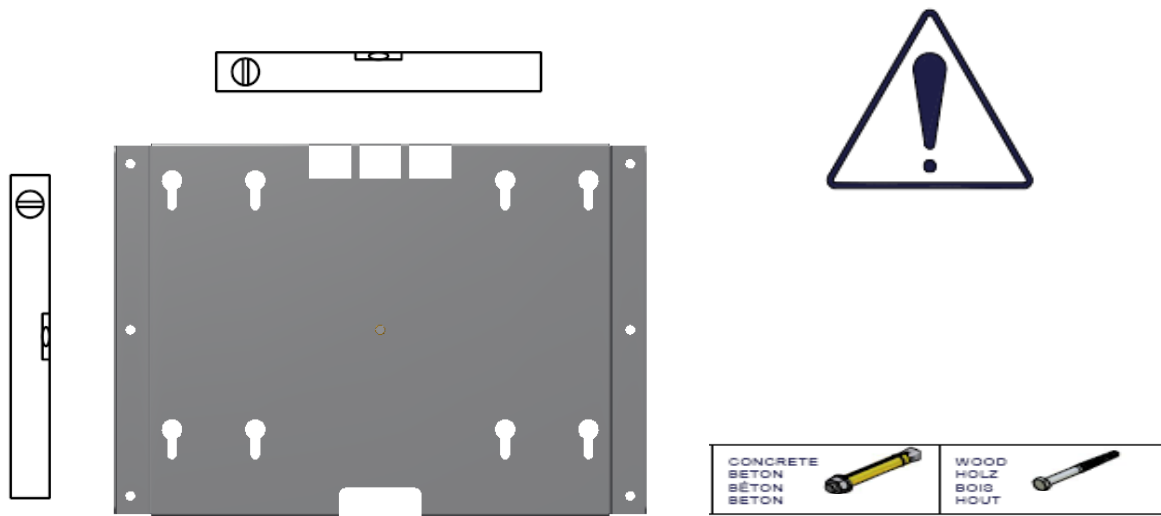
FSMT (N) and FSMO (N)



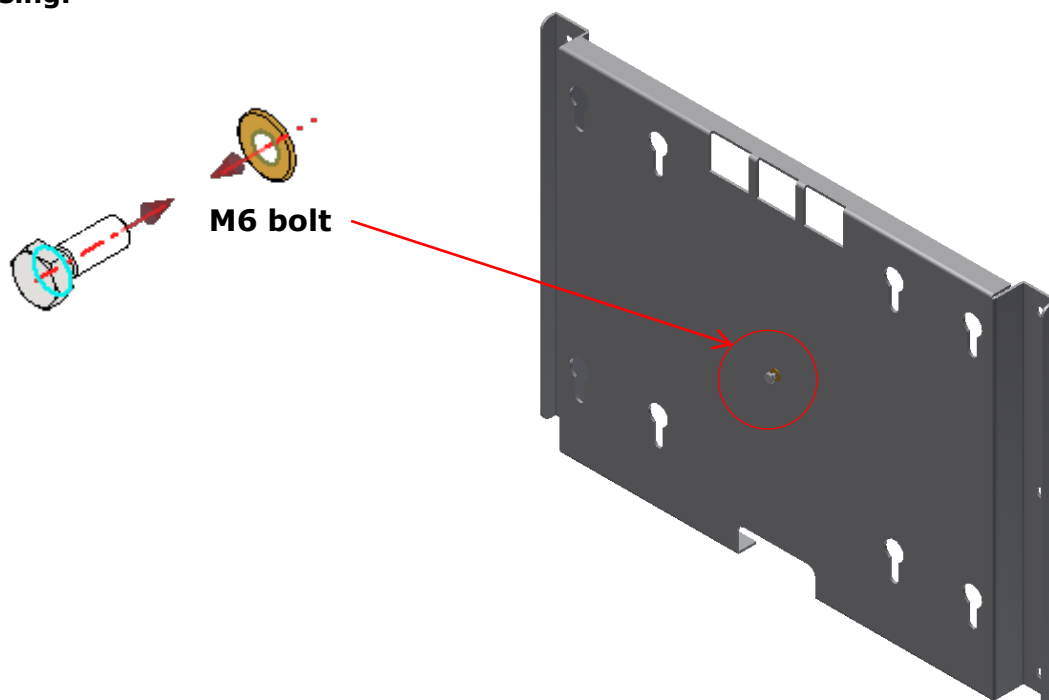
Before installing the housing to the wall, please read the manual first in full.
This manual is applicable for the standard indoor FSMT and outdoor FSMO versions.

1. Install the wall mount to the wall using all available mounting holes.
The centre bolt of the wall mount is equal to the centre of the flat panel.
Install level and use correct mounting materials.

Always use the Audipack mount for wall installation because with this mount it is not possible to unlock the mounting bolts to the wall in completed installation.

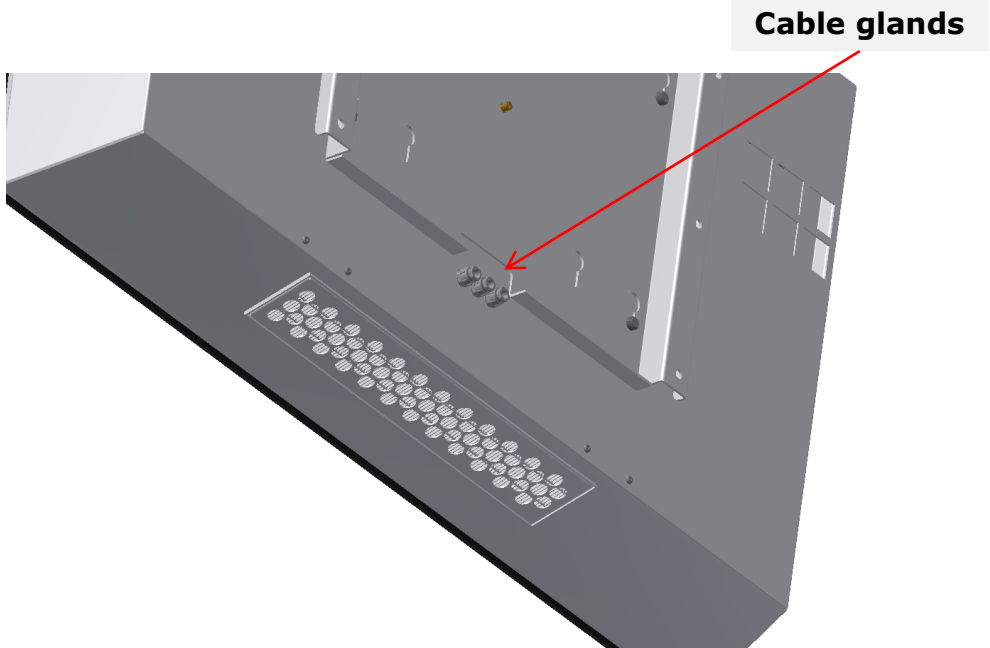


2. In the middle of the wall mount is a mounting point with an M6 bolt; remove this and keep it at a safe place. It is needed in a later stadium to lock the housing.



3.

When the wall mount is installed, it is possible to install the housing to the wall mount. Be sure the monitor cables are covered by the wall mount and ready to insert them in the water proof hubs.

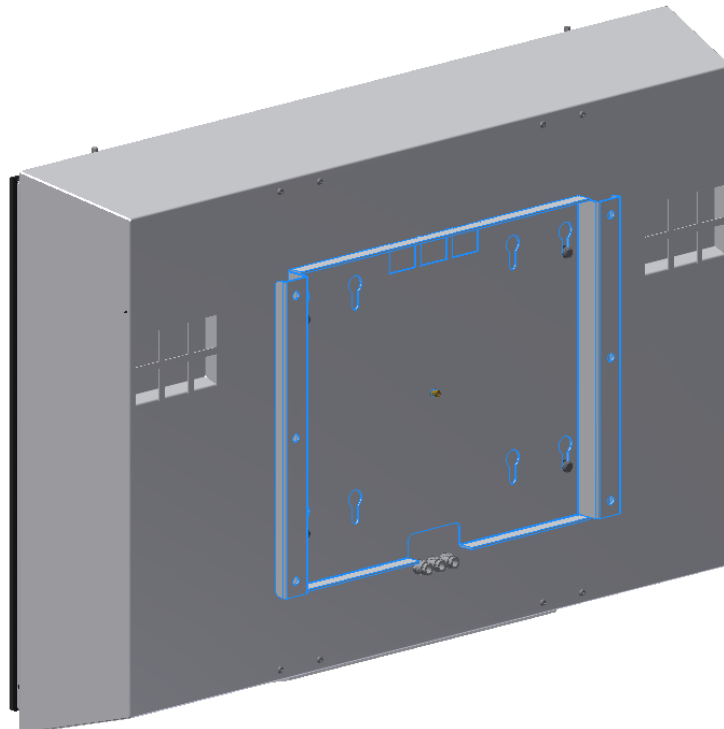


4.

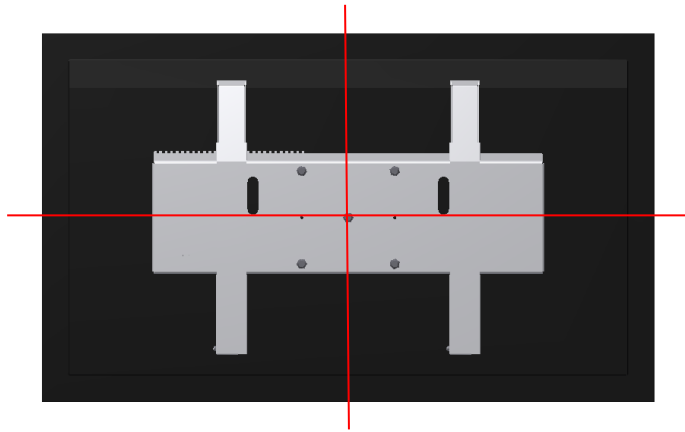
M8 cams are already mounted in the back of the housing

Install the housing by inserting the 4 cams in the key holes.

Once installed insert the M6 bolt to secure the housing and prevent it from lifting out.

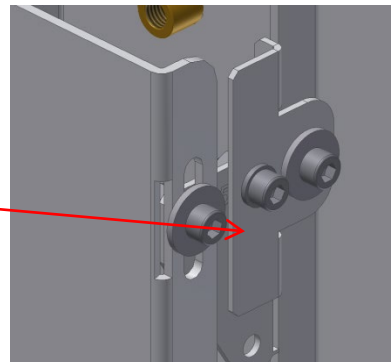
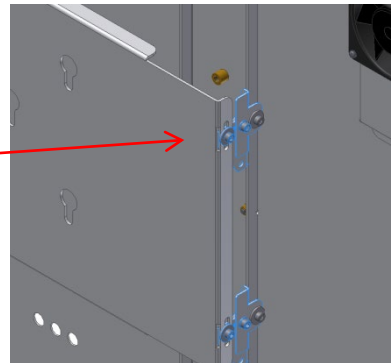
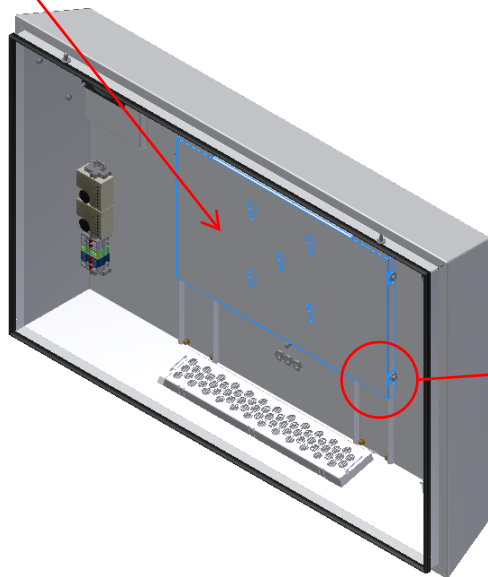


5. Before installing the monitor install the universal mount exactly in the middle of the monitor. In case the mounting pattern is unevenly divided on the monitor, it is possible to correct the height by shifting the back plate in the housing.



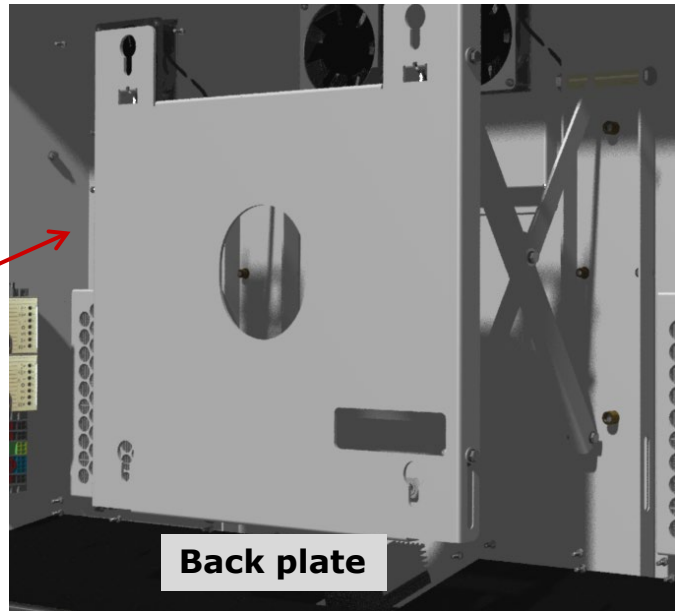
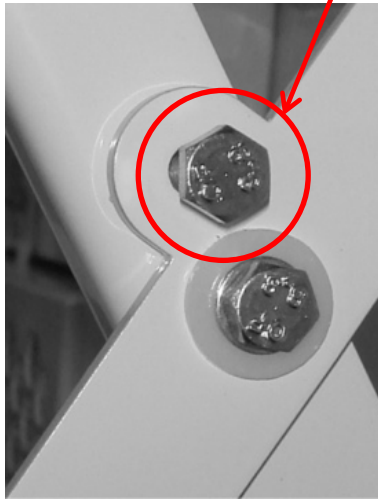
5a. To adjust the back plate of the housing use the spacers and install them in between.

Back plate



5a. Models with retractable back plate:

Before installing the monitor and bracket assembly, retract the back plate and secure it with two M6 bolts.



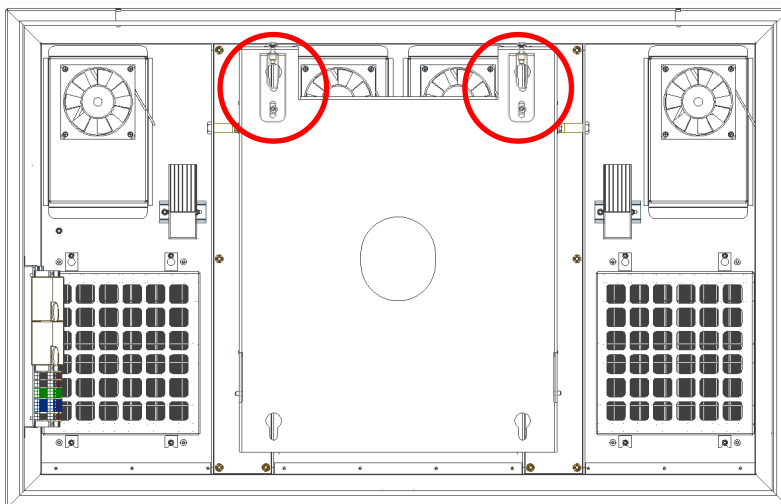
5b.

Install the monitor by inserting the cams in the key holes. The monitor is adjustable in height.

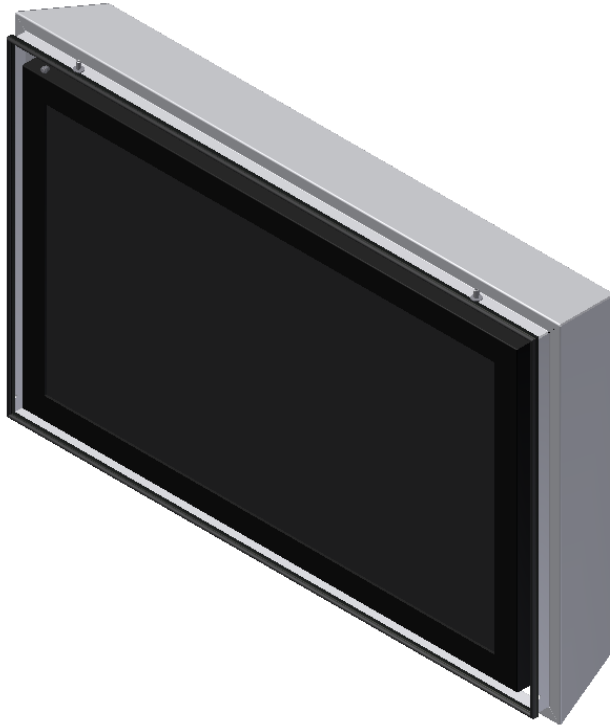
Be sure all connection are made and allow enough length of cable to remove the monitor without pulling the connectors.

When the monitor is installed:

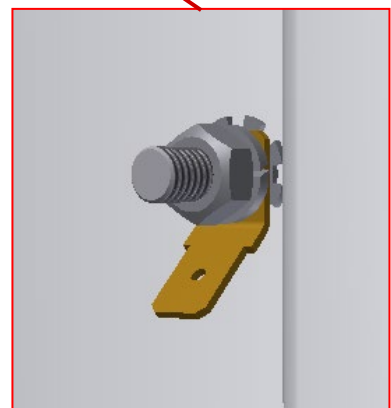
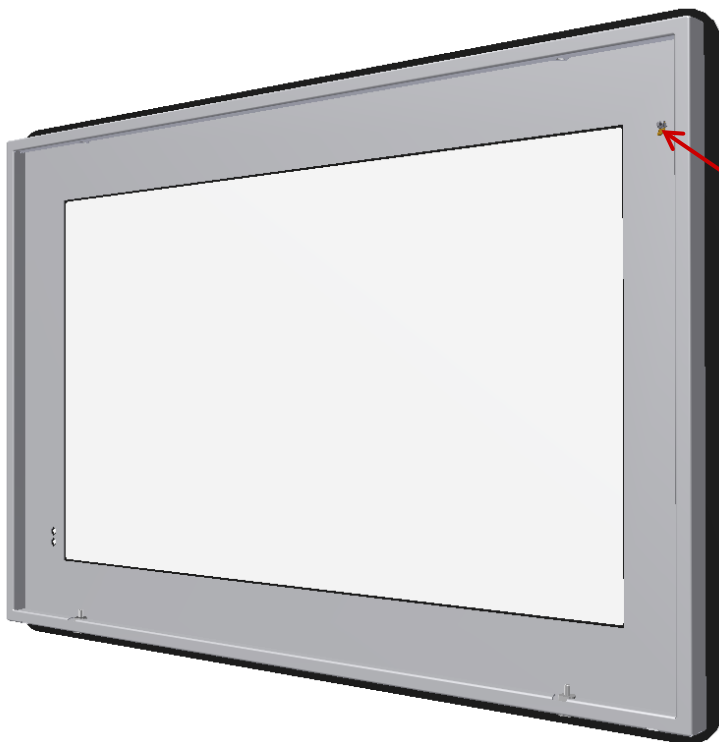
- Remove the retract security bolts



6. Install the monitor by inserting the cams in the key holes. Be sure all connection are made and allow enough length of cable to remove the monitor without pulling the connectors. **While installing the screen, ALWAYS KEEP 10-25 MM FREE SPACE BETWEEN THE SCREEN AND GLASS PANEL FOR VENTILATION!**



7. Before mounting the front cover don't forget the to connect the grounding wire.



8. FSMO only!

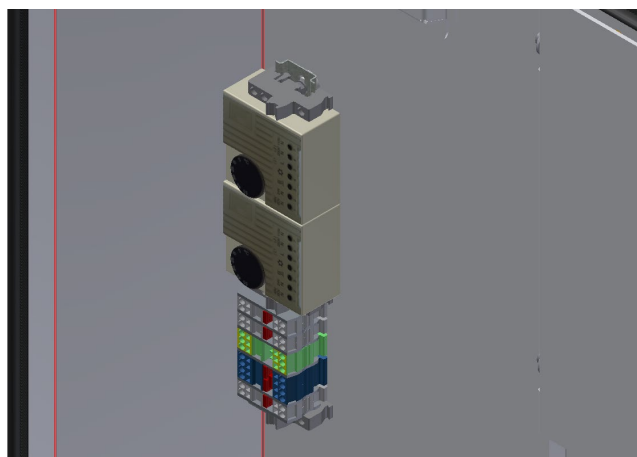
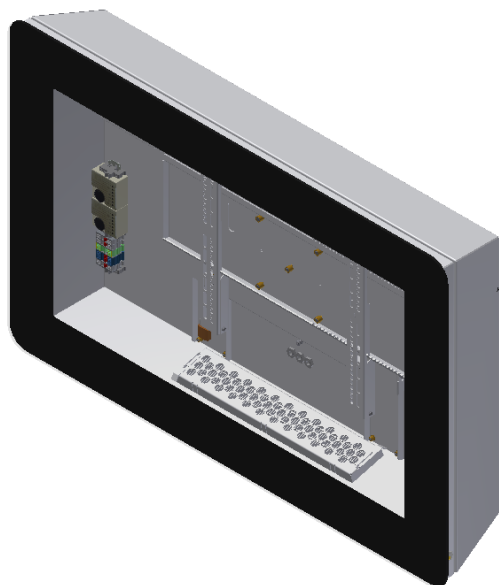
The FSMO housings are equipped with thermostatic controlled heating and ventilation inclusive a HEPA filter kit.

Advise:

Set the ventilation thermostat at approx. 30 degrees

Set the heating thermostat at approx. 8 degrees.

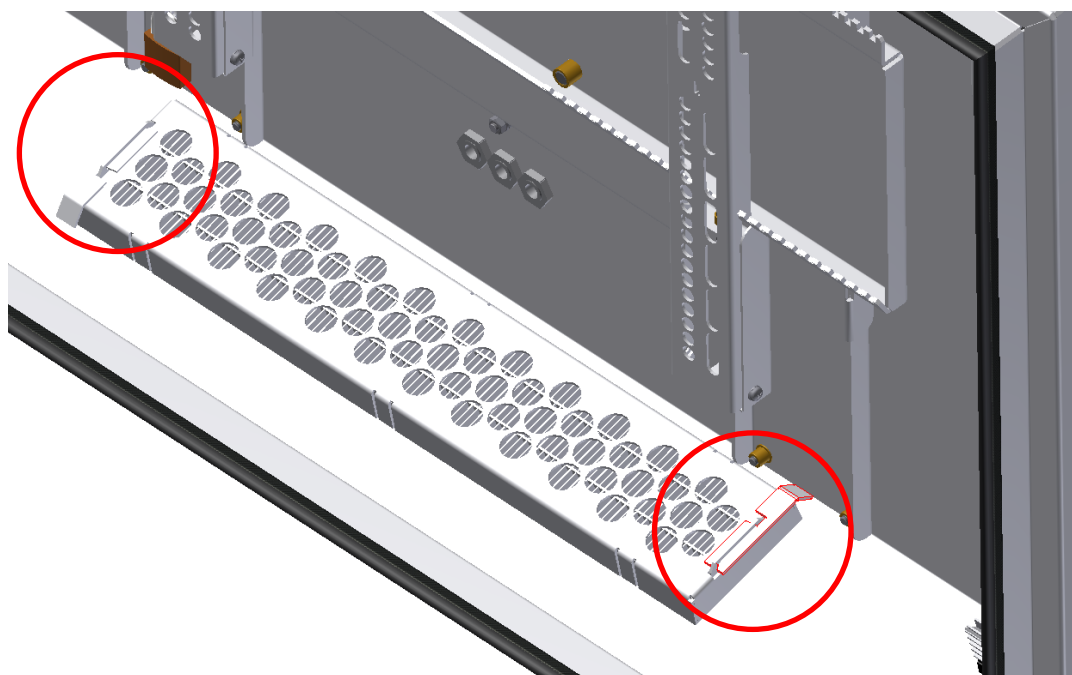
Change the settings to your application.



9a.

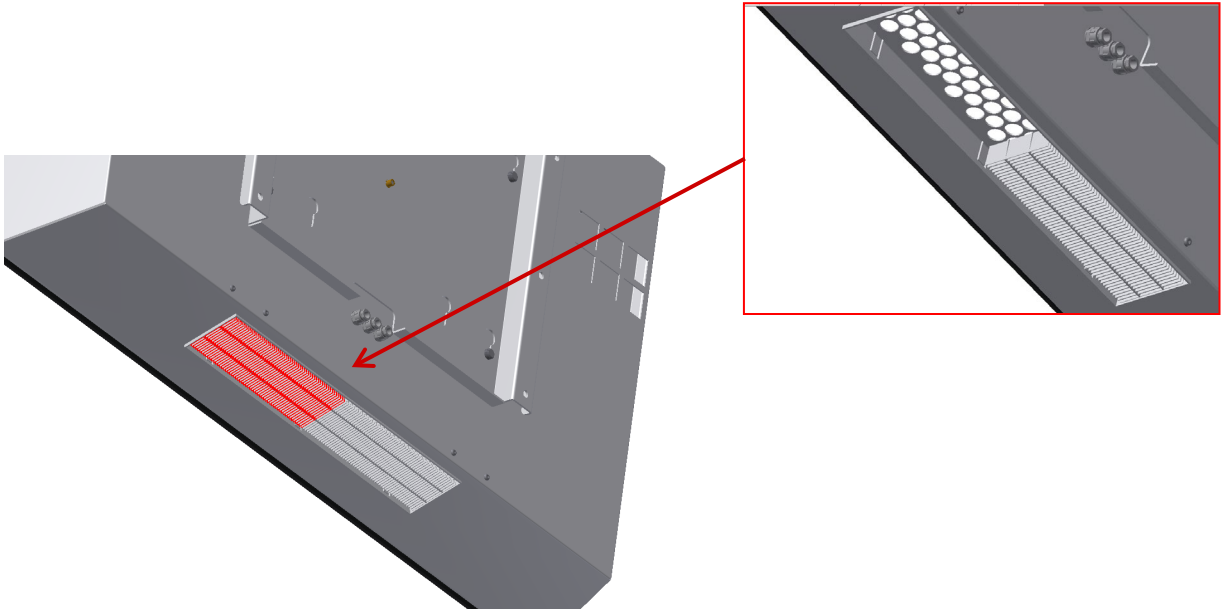
The HEPA filter kit (part no. 230060) needs to be checked periodically.

Replacing the filters is simply done by releasing the locks on the inside of the housing.

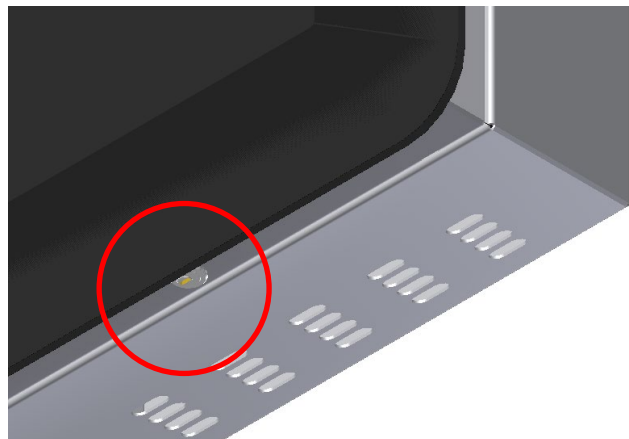


9b.
Remove the cover from the outside and take out the filters for replacement.

The life time of the filters are determined by the degree of pollution.
When the filters are very dirty, the airflow will reduce and will have effect on the ventilation function of the housing.



10.
To cover the FSMT or FSMO housing simply lift the front cover over the top cams of the housing and hinge it vertical.
Be sure the locks are "out".
Press the locks in" to secure the front.



11. Technical specifications.

Be aware of combining the correct monitor type and housing.

FSMT indoor only

Indoor theft delay housing

IP30, protection against fingers and tools

Max. appl. Brightness 700 CD/m²

FSMO

Outdoor theft delay housing

IP56, protection against fingers and tools and water streams

Max. appl. Brightness 700 CD/m²

Active ventilation and heating

Temperature range -15 / +35 C

Power supply 230 VAC 50-60 HZ (for ventilation and heating)

NOT SUITABLE FOR HIGH BRIGHTNESS MONITORS

Audipack's general conditions of sales and delivery apply to all of Audipack's deliveries. These conditions can be downloaded from Audipack's website, www.audipack.com, or will be sent by post on request.

Audipack liefert ausschließlich unter die allgemeine Verkauf- und Lieferungsbedingungen von Audipack. Diese Bedingungen sind zum downloaden verfügbar auf die Webseite von Audipack, www.audipack.com, oder werden Ihnen auf Anfrage per Post gesendet.

Alle leveringen geschieden uitsluitend volgens de Algemene Verkoop- en Leveringsvoorwaarden van Audipack. Een afschrift hiervan kunt u downloaden van de website van Audipack, www.audipack.com, of wordt u op aanvraag gestuurd per post.

Les conditions de vente et de livraison de Audipack s'appliquent à tous les livraisons de Audipack. Cette conditions sont disponible sur le site internet de Audipack, www.audipack.com, où seront envoyé par poste sur demande.

**AUDIPACK
Industriestraat 2-4
2751 GT Moerkapelle
the Netherlands**

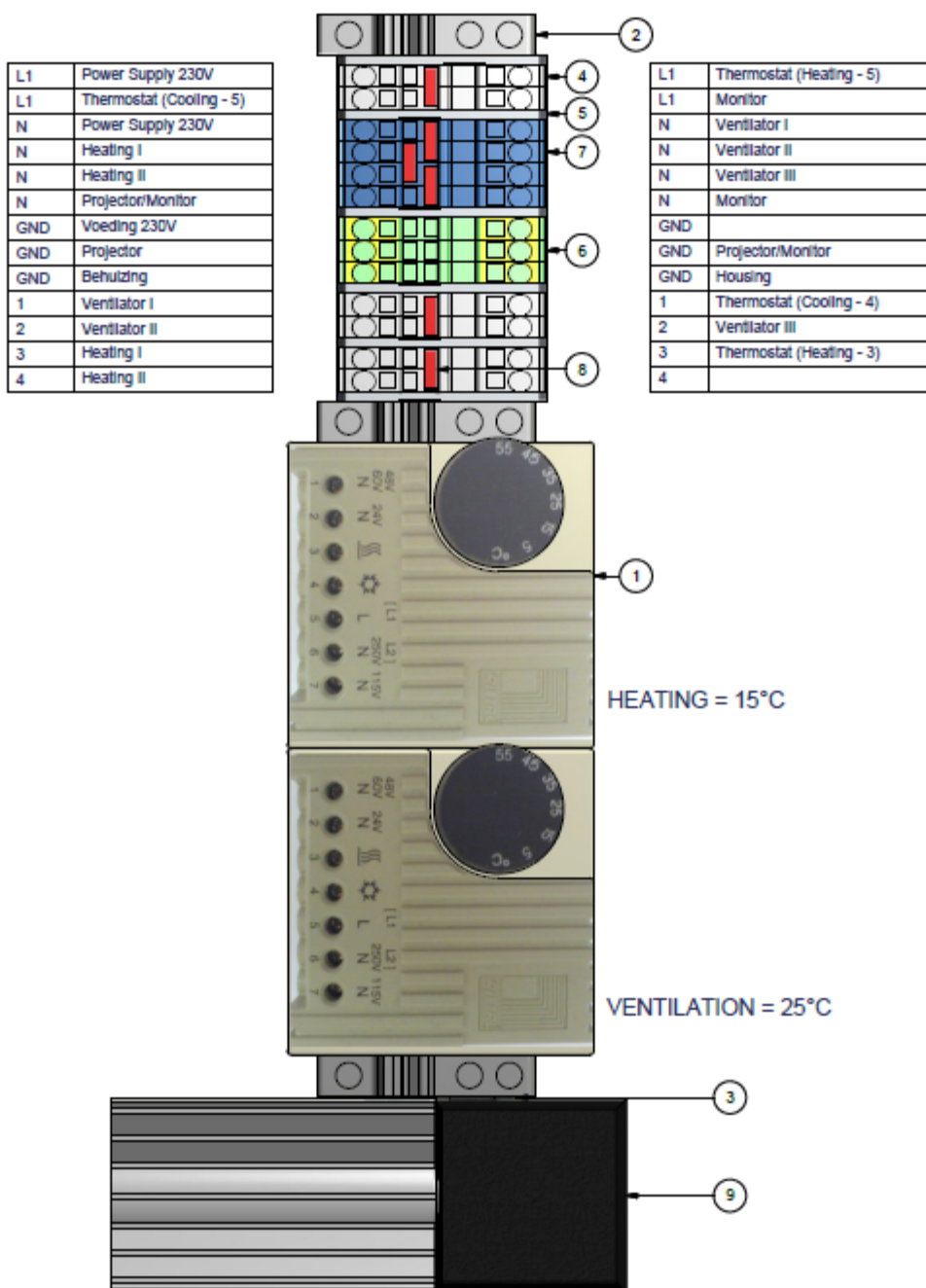
Tel: +31(0)795931671

Fax: +31(0)795933115

Email: audipack@audipack.com

www.audipack.com

Audipack reserves the right to make changes in specifications and other information contained in this document without prior written notice. The information provided herein is subject to change without notice. In no event shall Audipack be liable for any incidental, special, indirect, or consequential damages whatsoever, including but not limited to lost profits, arising out of or related to this manual or the information contained herein, even if Audipack has been advised of, known, or should have known, the possibility of such damages.



NOTE: All dimensions are ±..., in mm and subject to change

© COPYRIGHT AUDIPACK
This print and the information shown
thereon, is the property of
AUDIPACK.
It may not be delivered to others nor
reproduced for general circulation
without the written consent of the
AUDIPACK engineering department.



AUDIPACK
Industriestraat 2-4
2751 GT Moerkapelle
the Netherlands
Tel: +31(0)795931671
Fax: +31(0)795931115
www.audipack.com

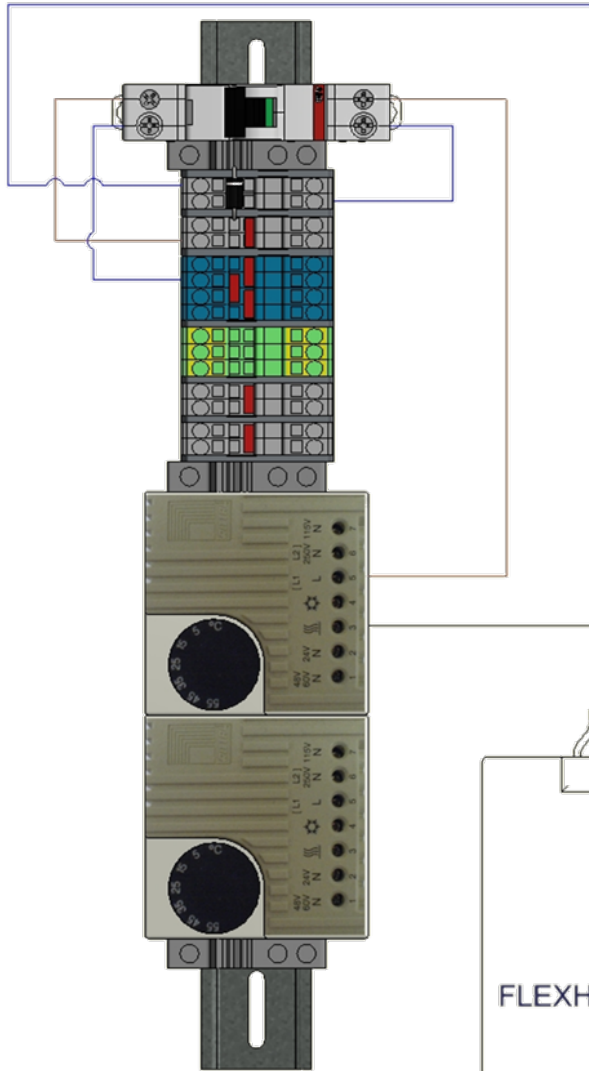
CONNECTIONS
431007

TEMPERATURE CONTROL

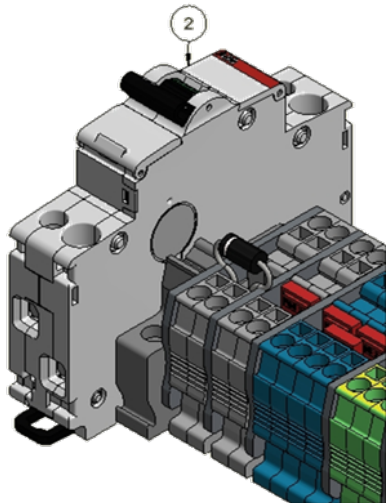
Dimensions are indications, not to be used for any preparations. No rights can be derived from the above dimensions.

OUTDOORHOUSING WITH FLEXHEATER

A	Diode
B	Diode
L1	Power Supply 230V
L1	Thermostat (Cooling - 5)
N	Power Supply 230V
N	Heating I
N	Heating II
N	Projector/Monitor
GND	Voeding 230V
GND	Projector
GND	Housing
1	Ventilator I
2	Ventilator II
3	Heating I
4	Heating II



A	
B	
L1	Thermostat (Heating - 5)
L1	Monitor
N	Ventilator I
N	Ventilator II
N	Ventilator III
N	Monitor
GND	
GND	Projector/Monitor
GND	Housing
1	Thermostat (Cooling - 4)
2	Ventilator III
3	Thermostat (Heating - 3)
4	



Dimensions are indications, not to be used for any preparations.
No rights can be derived from the above dimensions.

NOTE: All dimensions are ±..., in mm and subject to change

© COPYRIGHT AUDIPACK
This print and the information shown thereon, is the property of AUDIPACK.
It may not be delivered to others nor reproduced for general circulation without the written consent of the AUDIPACK engineering department.



AUDIPACK
Industriestraat 2-4
2751 GT Moerkapelle
the Netherlands

Tel: +31(0)795931671
Fax: +31(0)795933115

www.audipack.com

WIRING DIAGRAM
431023

THERMOSTAATREGELING +
AUTOMAAT