



Max. movable frame dimensions:
W560 x D560 mm

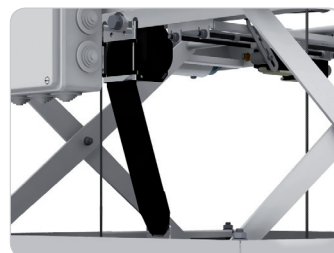
The perfect projector ceiling lift for medium sized projectors.

The PCL-5050 ceiling lift is part of Audipack's broad range of projector ceiling lifts.

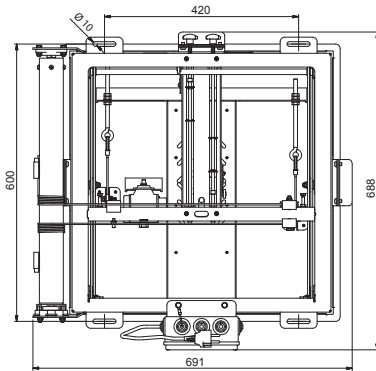
Specially this model is designed to carry the medium sized projectors with the big benefit that this type of lift fits a standard 600x600 ceiling tile cut-out. The only ceiling modification is replacing the removed ceiling tile back onto the lift frame.

The lift is available with several strokes and is standard equipped with a ceiling finishing mask. Adjusting the limits of the lift is simple as usual.

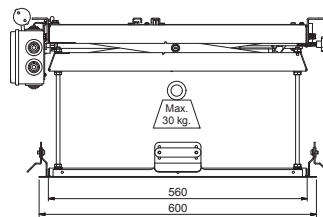
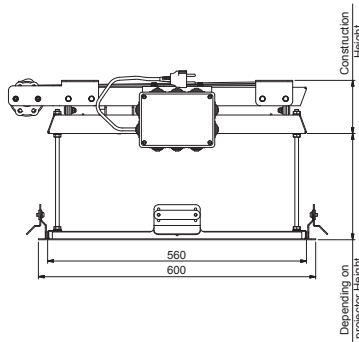
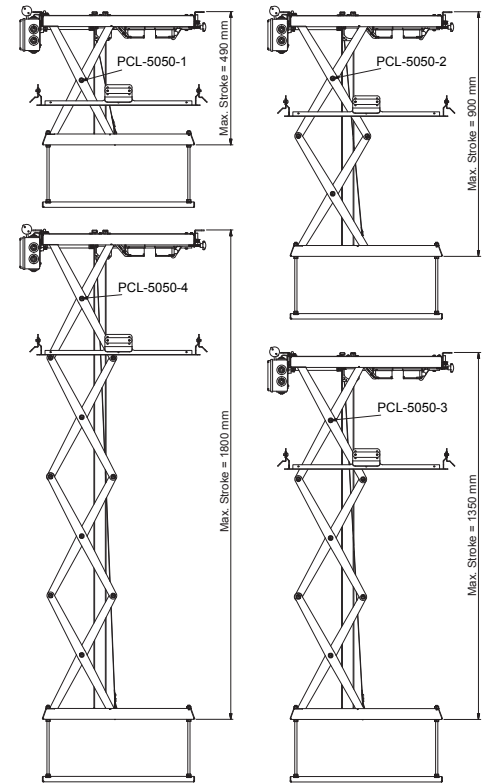
- ▲ **Reliable**
- ▲ **Durable**
- ▲ **Very silent lift system**
- ▲ **Low maintenance**



PCL-5050



PCL-5050	Number of Scissors	Overall Stroke	Construction Height
PCL-5050-1	1	490	115
PCL-5050-2	2	900	155
PCL-5050-3	3	1350	200
PCL-5050-4	4	1800	230



Technical specifications

Overall stroke in mm	490 - 1800
Dimensions in mm	W691 x D688 x H115 - H230
Max. movable frame in mm	W560 x D560
Max. load	30 Kg
Colour	White RAL 9016
Power supply	230 VAC 50-60 Hz/24VDC
Incl. Projector service position	(3+4 stroke model)

Optional

Brand related projector mount, required for projector installation	
Universal projector mount, required for projector installation	
Remote control set, available in IR and RF	
Service hatches	P1913 - P5066
Shock absorbers	P5547
Installation aid	P5047
Spacer frames	
Wall switch	261318

Related products

PCL-X350 series
PCL-M350 series
PCL-2050 series
PCL-3050 series
PCL-5050-RS232 series