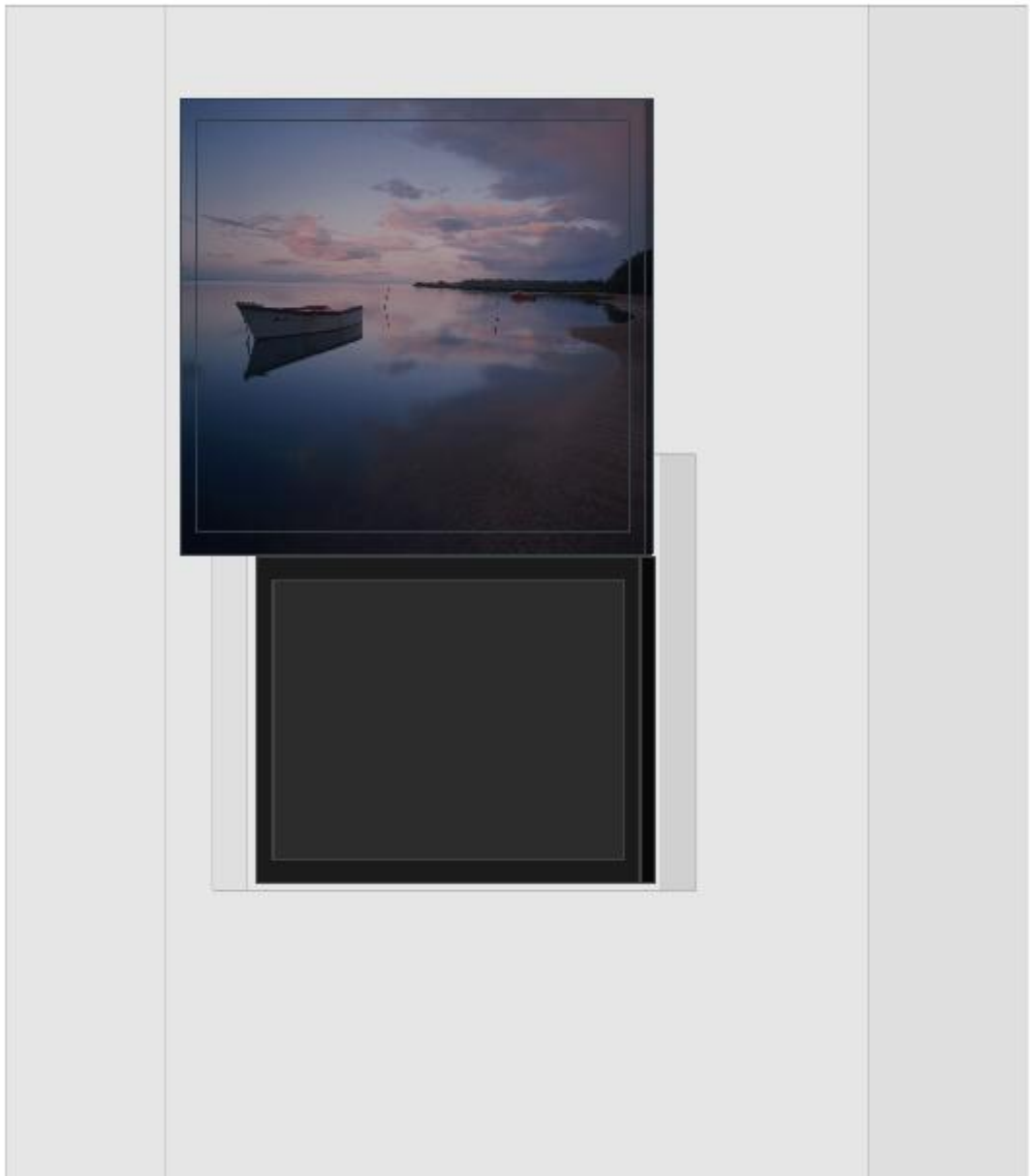


AWL Art work lift



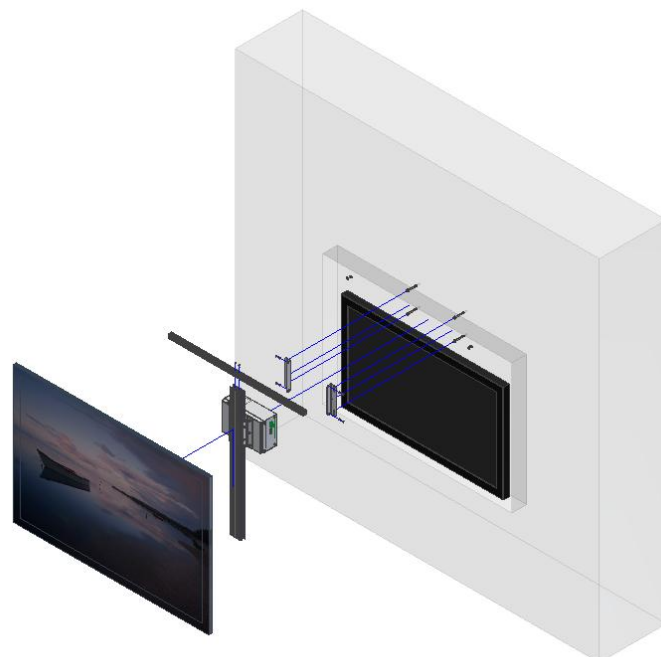
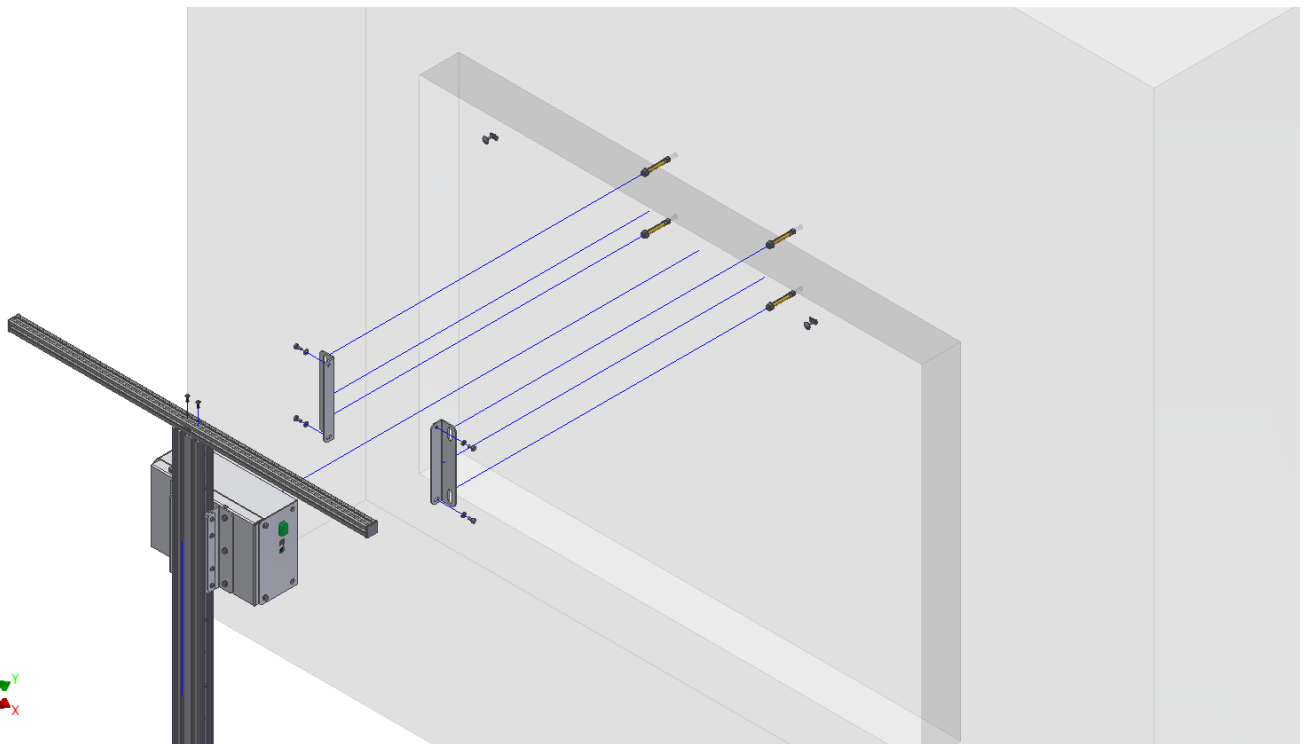
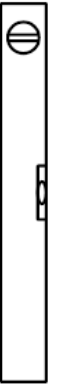
1.

Install the AWL lift in the wall above the screen.

Be sure that the art work it self is the same height as the total front of the lifting frame of the AWL lift.

(gries are to adapt the art work or order a custom build model AWL)

Always install to a straight and level wall

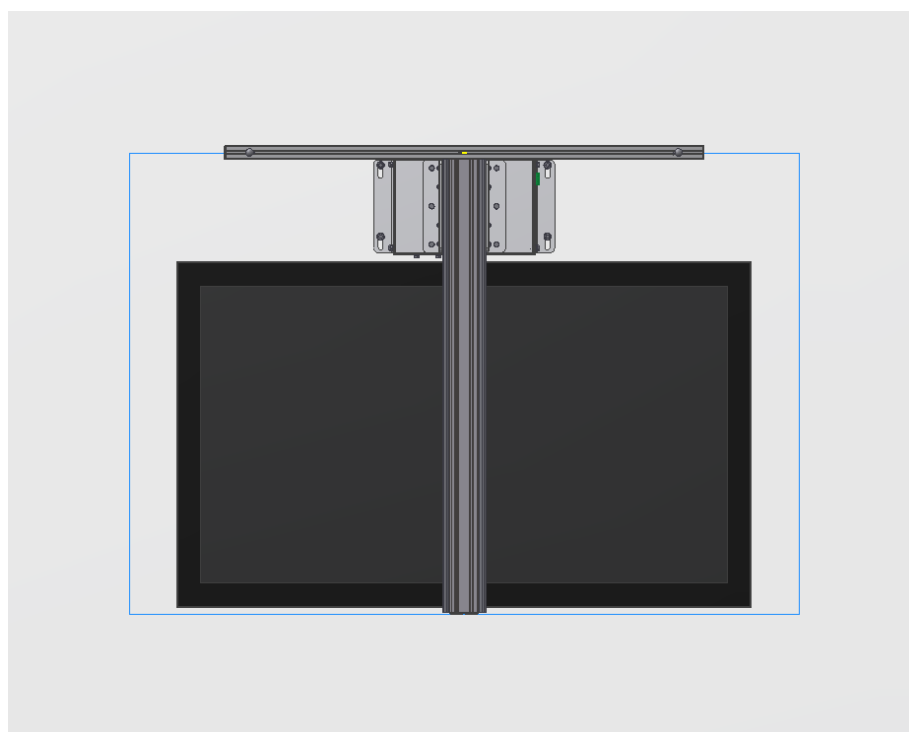
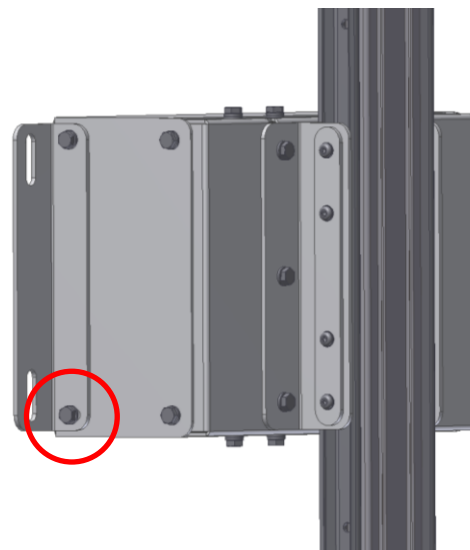
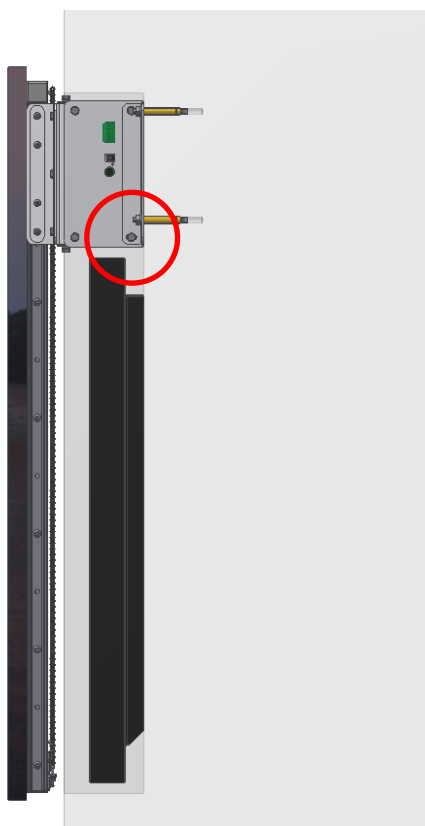


2.

Install the AWL lift using all screws in the wall possible.

By loosening the bottom screw it is possible to slightly pivot the unit.

Fasten all bolts well.

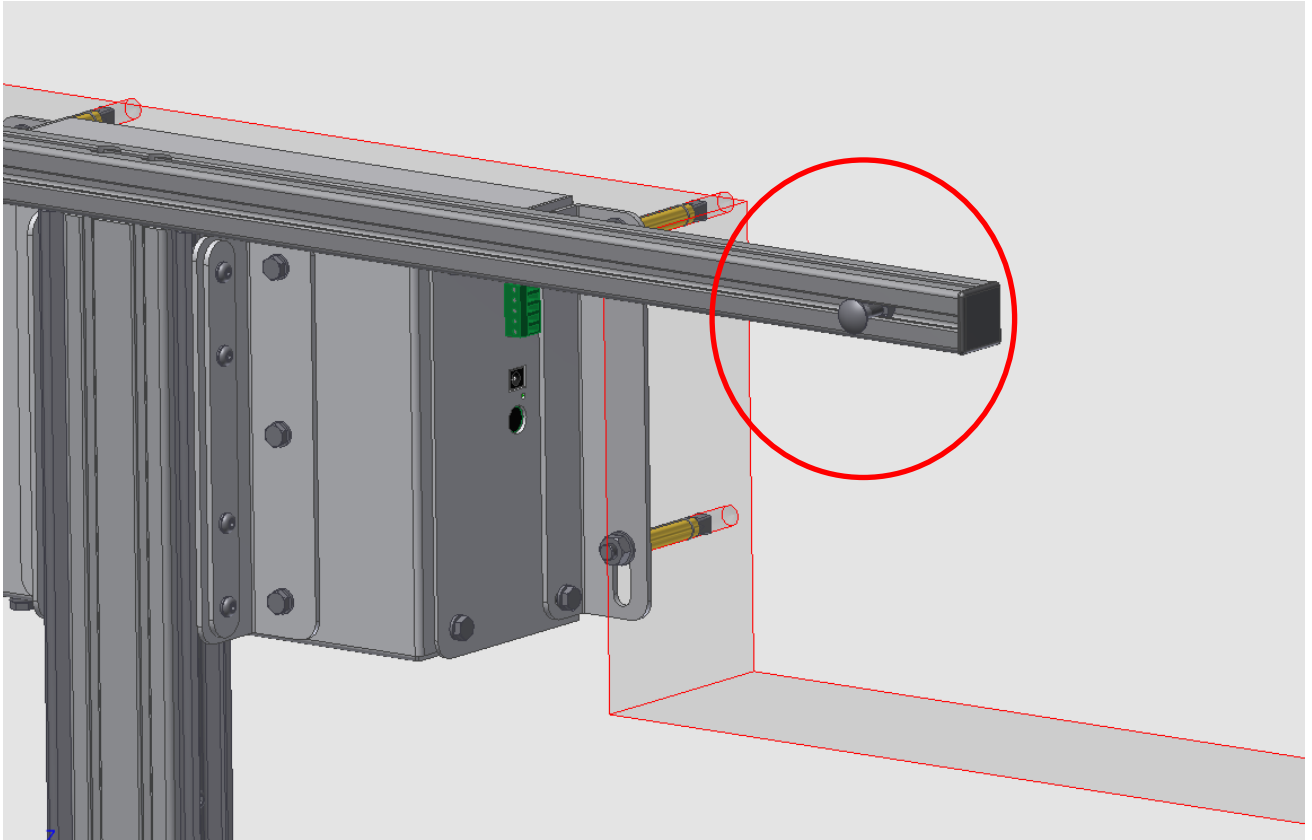


3.

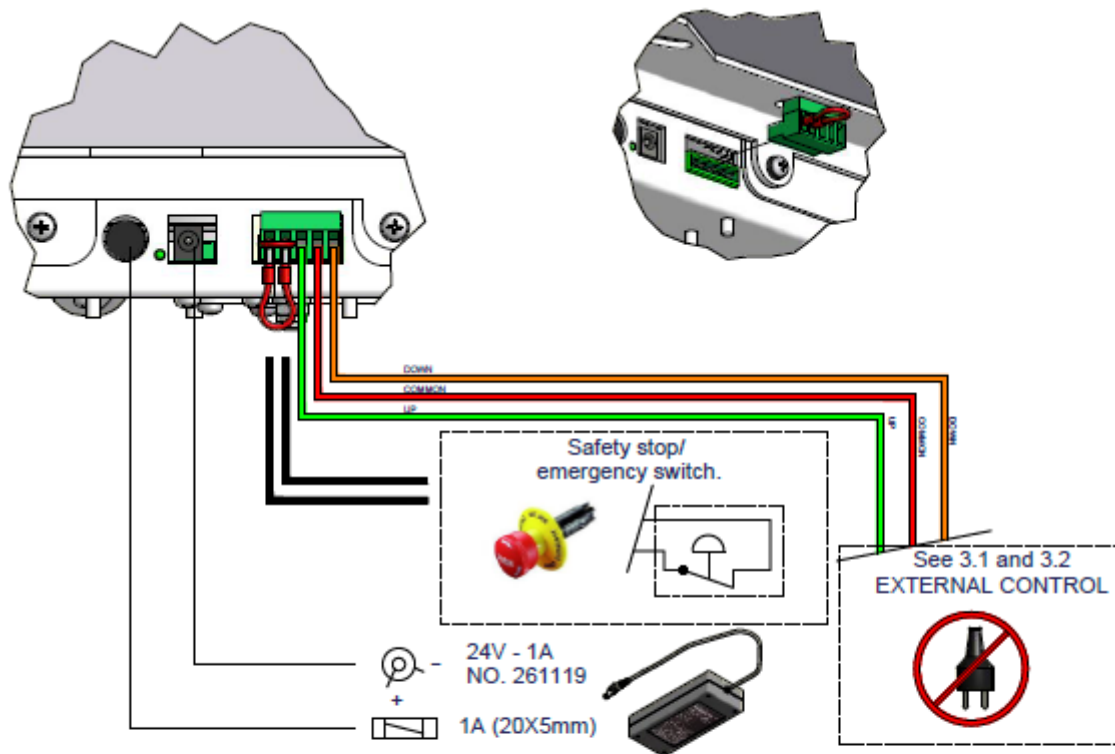
For installing the art work to the system nuts and bolts can be positioned in the T-slot of the aluminium profile.

Position them anywhere needed and tighten them well.

Optional special custom brackets are available to install special art work frames.

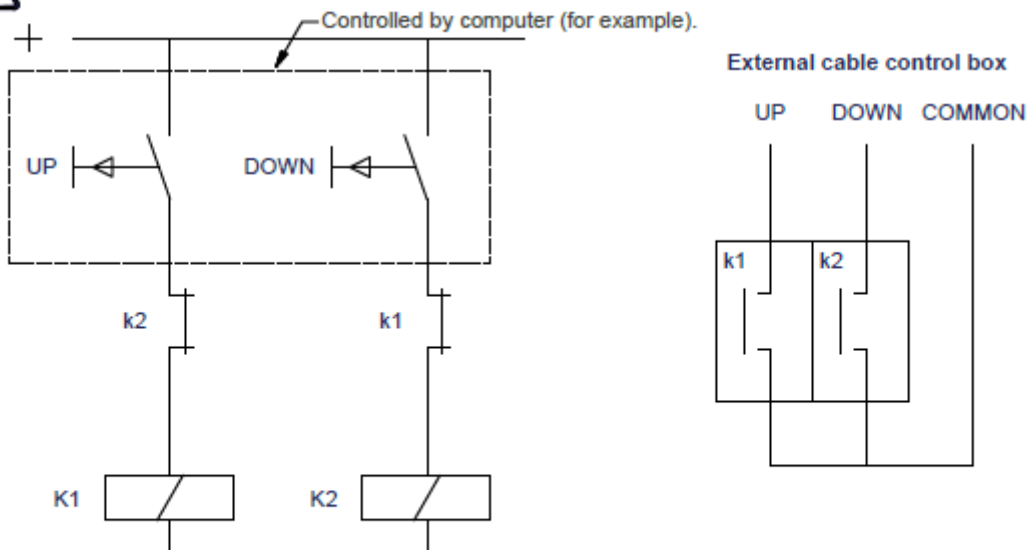


4. Connections



WARNING:
The tension on these wires
can be 12-24 VDC and 230 VAC!

Note: to control the system pulse or constant,
and adjust the maximum power, please see
'appendix 260204 MOTOR CARD'.



-K1 and K2 are relays.
-k1 and k2 are relays.

Audipack's general conditions of sales and delivery apply to all of Audipack's deliveries. These conditions can be downloaded from Audipack's website, www.audipack.com, or will be sent by post on request.

Audipack liefert ausschließlich unter die allgemeine Verkauf- und Lieferungsbedingungen von Audipack. Diese Bedingungen sind zum downloaden verfügbar auf die Webseite von Audipack, www.audipack.com, oder werden Ihnen auf Anfrage per Post gesendet.

Alle leveringen geschieden uitsluitend volgens de Algemene Verkoop- en Leveringsvoorwaarden van Audipack. Een afschrift hiervan kunt u downloaden van de website van Audipack, www.audipack.com, of wordt u op aanvraag gestuurd per post.

Les conditions de vente et de livraison de Audipack s'appliquent à tous les livraisons de Audipack. Cette conditions sont disponible sur le site internet de Audipack, www.audipack.com, où seront envoyé par poste sur demande.

AUDIPACK

Industriestraat 2-4
2751 GT Moerkapelle
the Netherlands

Tel: +31(0)795931671
Fax: +31(0)795933115
Email: audipack@audipack.com

www.audipack.com

Audipack reserves the right to make changes in specifications and other information contained in this document without prior written notice. The information provided herein is subject to change without notice. In no event shall Audipack be liable for any incidental, special, indirect, or consequential damages whatsoever, including but not limited to lost profits, arising out of or related to this manual or the information contained herein, even if Audipack has been advised of, known, or should have known, the possibility of such damages.